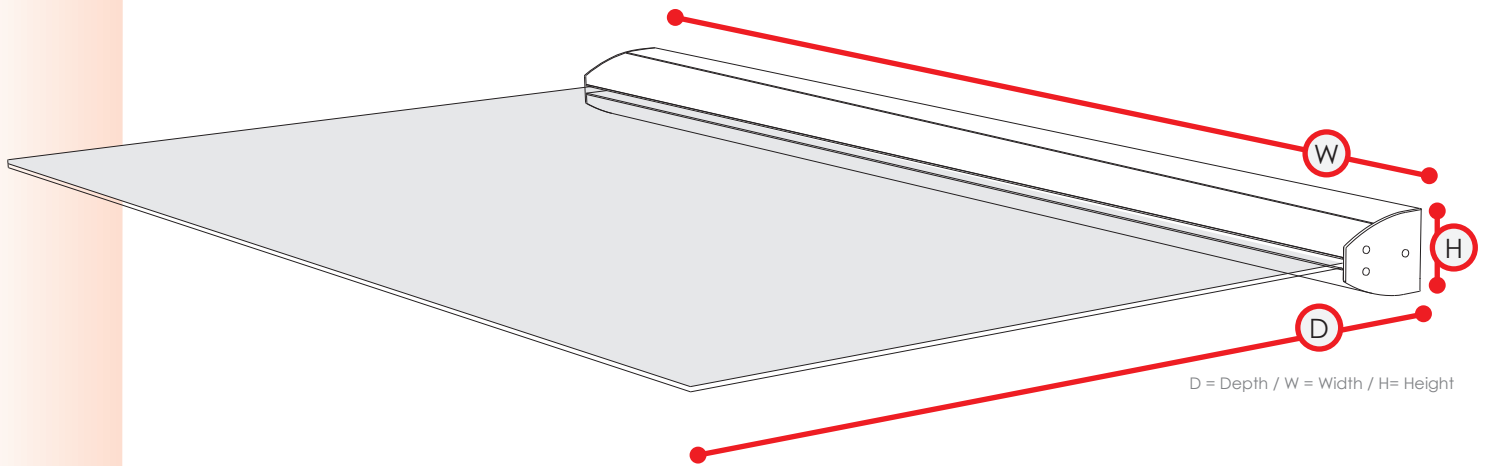


GA Series Awning Dimensions



Model #	Unit of Measure	Assembled Product	Duo-Tempered Glass Panel		Bracket End Cap	Bracket Preset Hole Distance	
		DxWxH	DxW	Thickness	A	B	C
DA5535-GGL1A	inch	35.4x55.1x3.6	33.5x54.9	.32	4.4	1.9	10.2
	mm	900x1400x92	850x1395	8.2	113	50	260
DA6339-GGL1A	inch	38.9x62.9x3.6	37.4x62.8	.32	4.4	3.9	11
	mm	990x1600x92	950x1595	8.2	113	100	280

Listed measurements are for general reference only. Always consult with a professional installer for advise on installation and hardware requirements. NOTE Data Error ± 10%

