

NOTE: Installation Guide is generalized for **most** types of installations and is intended to help plan for a simple & easy install & product usage. Personal & specific structural physicalities may require deviation from the recommended measurements.

Planning Your Awning Installation.

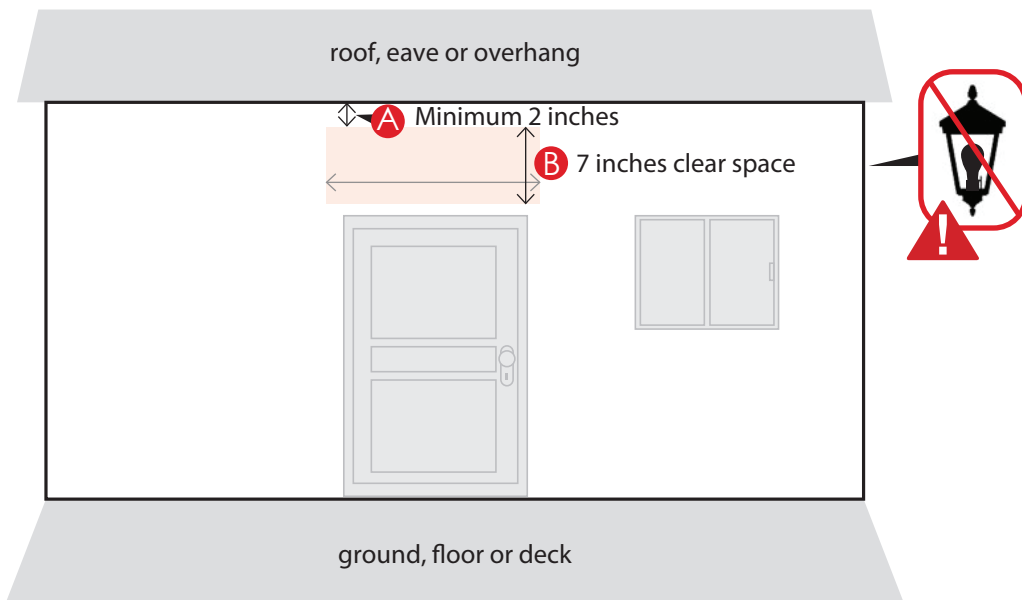
Locate your door/window structural header.

- A** Minimum 2 inches of clearance below roof/eave/overhang.
- B** 7 inches of clear vertical run length depending on awning size.
 - 55 or 63 inches
- C** Minimum Depth Clearance depending on awning size.
 - 35 or 39 inches

IMPORTANT

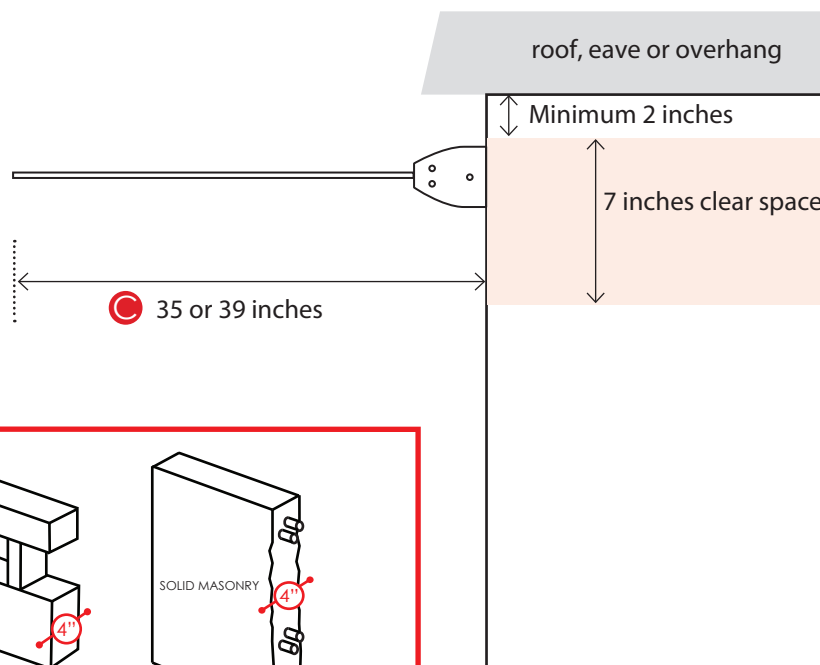
Run length should be free & clear of any obstructions along the entirety of planned awning length.

Advaning highly recommends consulting with a professional installer/contractor who can best assess your specific installation challenges to avoid possible injury, property damage and ensure full product functionality.



Personal & specific structural physicalities may require deviation from the recommended measurements.

Side view



CAUTION! IMPORTANT!

GA Series awning **MUST** be mounted to main structural supports, header, or solid masonry 4-inch in thickness or more.

