

Retractable Awning Installation Substrate Guide

NOTICE

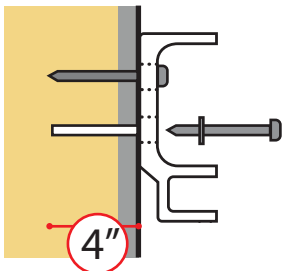
Professional installation is recommended if you are unfamiliar with the building materials used in your desired installation location. Always consult with a hardware or contractor professional for appropriate hardware and installation methods if your installation site defers from the recommended 4" substrates listed.

CAUTION!

Metal studs, cinder block, hollow brick or blocks, compressed wood, or similar materials may necessitate modifications and/or specialty hardware not included with an Advaning awning.



General Bracket Mounting Configurations



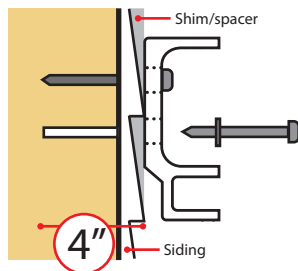
Exterior Wall Install.
Wood Framing, Studs, Header, etc.
4"+ in thickness.

Included (Luxury & Classic) :

- Dual Use Wall/Soffit Bracket
- Lag Screws and Washers

Included (Slim Gray) :

- Wall Bracket
- Lag Screws and Washers



Exterior Wall with Siding Install.
Wood Framing, Studs, Header, etc.
4"+ in thickness, including shims or spacers.

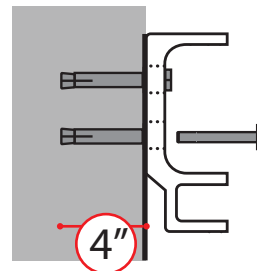
Included (Luxury & Classic) :

- Dual Use Wall/Soffit Bracket
- Lag Screws and Washers

Included (Slim Gray) :

- Wall Bracket
- Lag Screws and Washers

•Shims/Spacers *Not Included.*



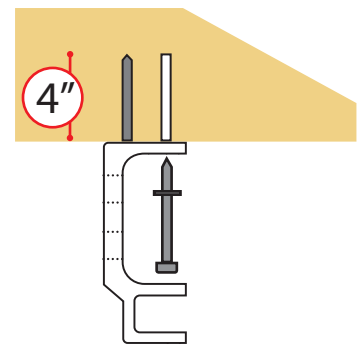
Exterior Solid Masonry Wall Install.
Brick, Concrete, Stone, etc. 4"+ in thickness.

Included (Luxury & Classic) :

- Dual Use Wall/Soffit Bracket
- Expansion Bolt Sets

Included (Slim Gray) :

- Wall Bracket
- Expansion Bolt Sets



Exterior Soffit Install.
Wood Framing, Studs, Header, etc.
4"+ in thickness.

Included (Luxury & Classic) :

- Dual Use Wall/Soffit Bracket
- Lag Screws and Washers

•Slim Gray Series, Soffit Mount Bracket *NOT Included.*

CAUTION!

Not adhering to the product installation guides outlined within the product Owner's Manual can result in awning damage, property damage, severe injury, or death.

