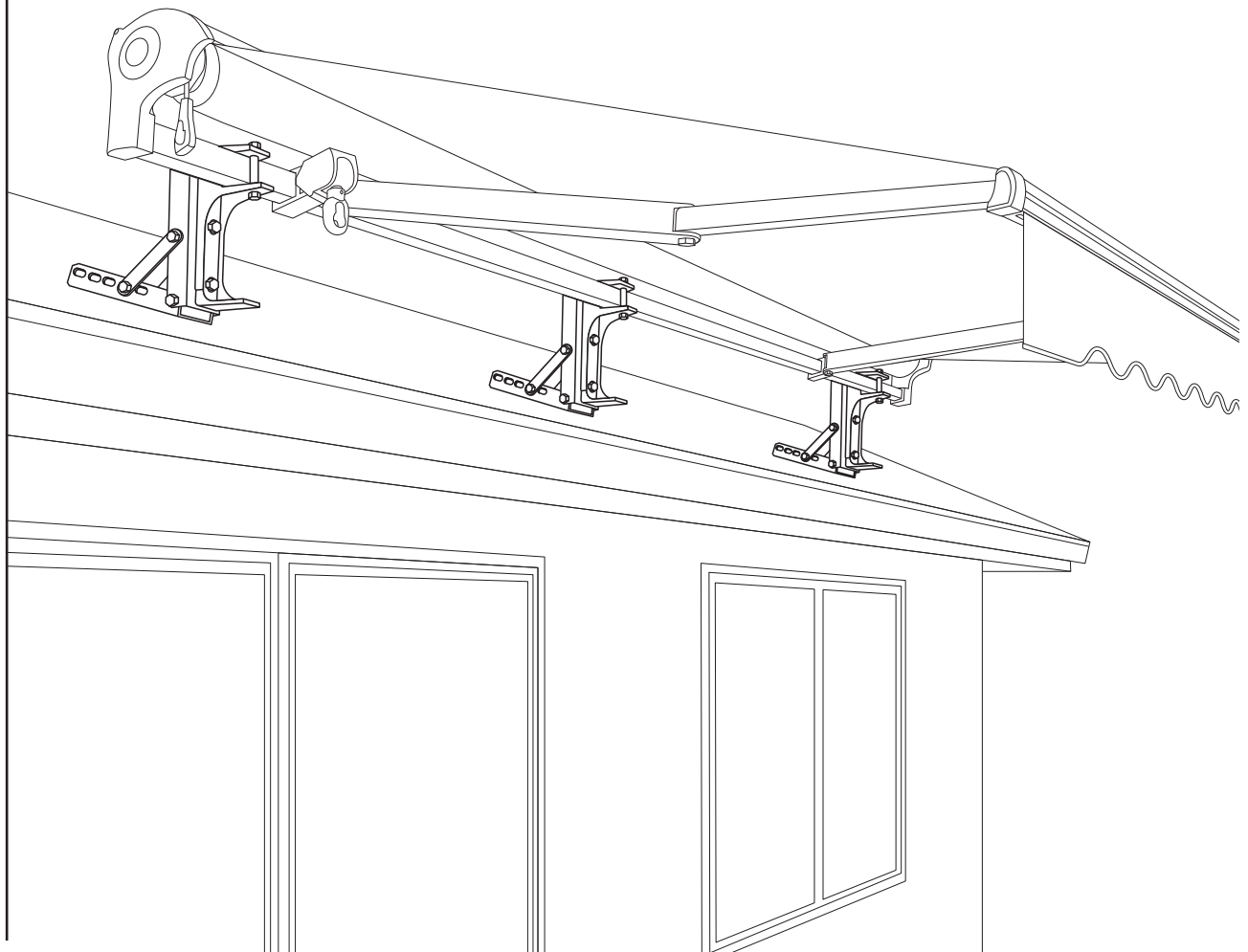


# ROOF MOUNT BRACKETS

## for Retractable Awnings



## Owner's Manual

For your safety and the safety of others, please read all of the instructions and warnings in this manual carefully before proceeding with an installation and usage.

# TABLE OF CONTENTS

Safety Instructions .....	2
Package Contents .....	3
Terminology & Location.....	4
Required Tools .....	4
Pre-Installation Guide .....	5
Bracket Placement & Spacing .....	5
Installation .....	6~7
Connecting Awning Bracket .....	8
Maintenance .....	9
Warranty & Customer Service .....	9~10

# SAFETY INSTRUCTIONS

**SAFETY FIRST, PLEASE READ THE FOLLOWING POINTS TO REDUCE THE RISK OF PERSONAL INJURY OR PROPERTY DAMAGE. BEFORE PROCEEDING WITH YOUR INSTALLATION ENSURE THE ROOF IS IN GOOD AND SAFE CONDITION TO SUPPORT AN AWNING.**

## INSTALLATION

- Ensure proper safety ladders, rails, scaffolding are being used and follow all safety protocols when using.
- Pay close attention throughout the installation process to ensure that the Advaning Roof Mount Brackets are installed properly and according to the safety guidelines outlined herein.
- Do not attempt installation while under the influence of alcohol or drug substances.
- Use a roof safety body harness if/when needed.
- If you are planning to use the Advaning Roof Mount Brackets with non-Advaning branded awnings, please ensure to follow all safety precautions outlined within their Owner's Manual.
- Do not proceed with an installation if you feel that you cannot properly and safely complete. Please seek professional help when needed.
- Always wear protective gear and gloves when handling sharp metal parts.
- Only perform installation/maintenance/cleaning in dry and optimal weather conditions.
- 2 or more persons are recommended for installation.

## IMPORTANT

- Only install roof mount brackets on the eaves of roof. The eaves are the lower edges of the roof that extend beyond the walls of the building.
- Advaning retractable awnings require access to the manual open/close gear loop and Easy Pitch mechanism loops, please ensure to adequately measure to allow access once installed on roof. Rain gutters or other fascia mounted objects may cause a physical obstruction that may prevent access.
- Roof mount brackets require connection to roof rafters and a flat surface for proper installation.

Advaning recommends installing directly onto flat type materials, such as; Asphalt Shingles, Crimp Metal, Metal Shingles, Wood, Slate, Cement, and Composite type roof shingles/ /material.

**NOTE: Specialty drill bits may be required for your specific roofing material.**

## **DO NOT USE ROOF MOUNT BRACKETS if:**

**A: Roof Material Does NOT Lay Flat**

**B: Roof Line is Not Flat**

**C: Obstructions are Present**

**D: Roof Condition is Bad**

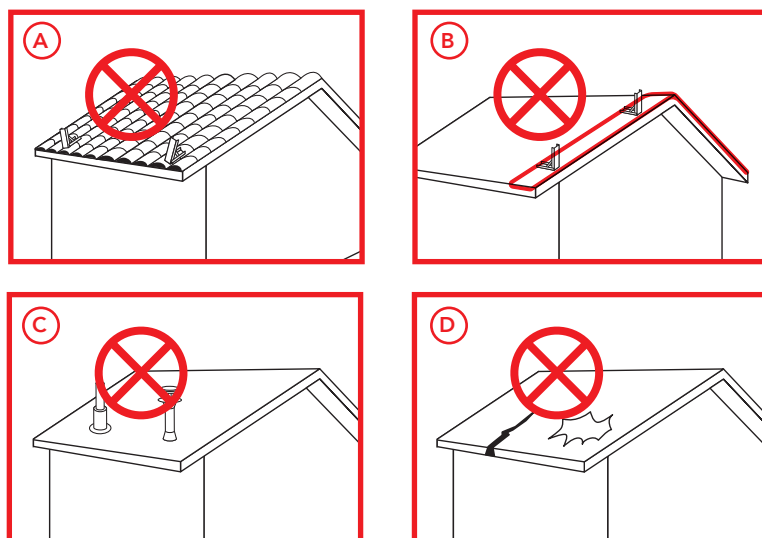


Fig.1

# PACKAGE CONTENTS

Before attempting your installation, please ensure that each Roof Mount Bracket package contains all of the parts and qty's as listed on this page.

Ensure you have the adequate amount of Roof Mount Brackets for your specific awning – please reference your awning Owner's Manual for bracket quantity.

Lastly, if/when using Advaning's Roof Mount Brackets with non-Advancing awnings ensure your awning's bracket will align and securely fasten to the Bracket Face (part B).

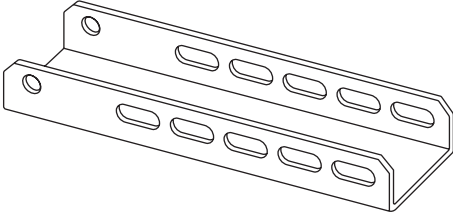
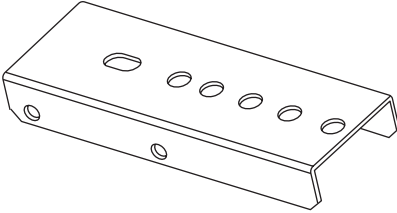
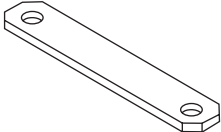
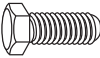


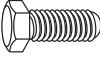

		Part	Quantity	
A	Bracket Base		1	
B	Bracket Face		1	
C	Hinge Brace		2	
D	Awning Bracket Securing Bolt Set	Bolts		2
		Washers		2
		Nuts		2
E	Hinge and Brace Securing Bolt Sets	Bolts		6
		Lock Nuts (Nylon Nuts)		6

Fig.2

# TERMINOLOGY AND LOCATION

- Ⓐ Bracket Base (1)
- Ⓑ Bracket Face (1)
- Ⓒ Hinge Brace (2)
- Ⓓ Awning Bracket Securing Bolt Set (2)
- Ⓔ Hinge and Bracket Securing Bolt Set (6)
- Ⓕ Hinge Holes (2)
- Ⓖ Base Securing Holes (3)
- Ⓗ Base Hinge Angle Setting Holes (5 per side)
- Ⓘ Awning Bracket Mounting Holes (6)

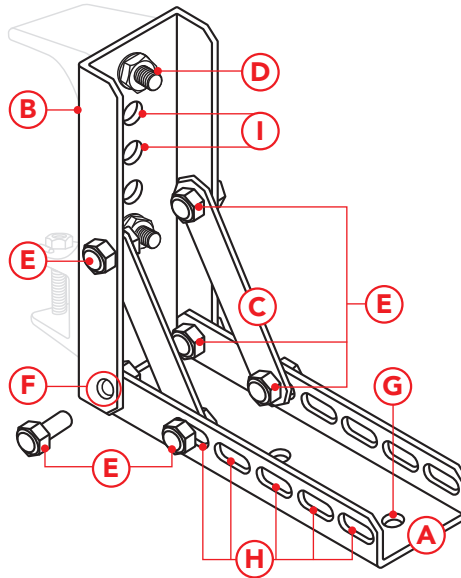
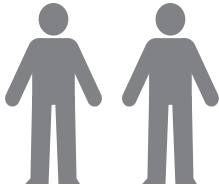


Fig.3

# REQUIRED TOOLS & PARTS

  
**Recommended 2 People to Install**



- ① Measuring Tape
- ② Stud Finder
- ③ Level
- ④ Chalk Line
- ⑤ Socket Wrench / Wrench (14mm & 17mm)
- ⑥ Roof Sealant/Cement
- ⑦ \*Lag Screws & Washers (Qty 3 per Bracket)
- ⑧ 11/64" or 1/4" Drill Bit
- ⑨ Power Drill
- ⑩ Ladders/Scaffold

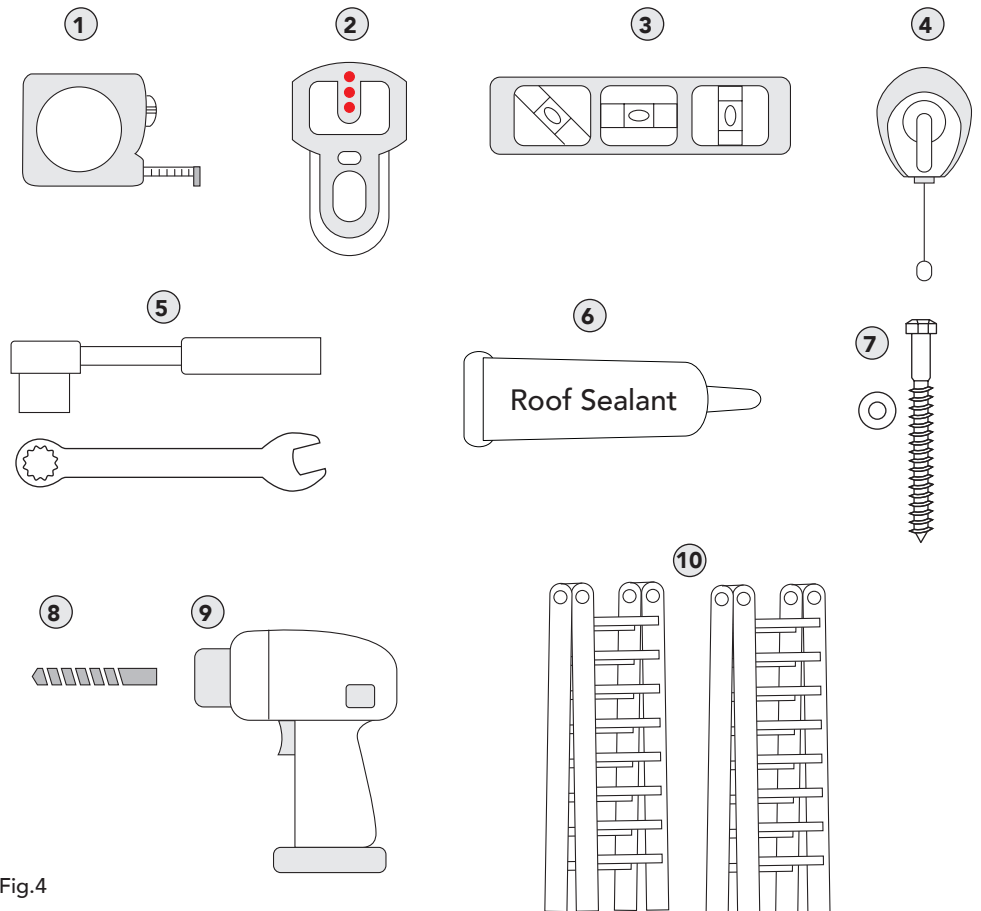


Fig.4

\*M9 3/8"x4" Stainless Steel – Recommended. Advaning's Lag Screws Part# ZLA-LWS-S1 SOLD SEPERATELY – Available from Advaning.

# PRE-INSTALLATION GUIDE

## PRE-INSTALLATION GUIDE

Locate a placement on roof that is:

- Ⓐ Straight/Level Roof Line - Parallel to Level Ground.
- Ⓑ Clear of Any Obstructions for a Minimum of 12 inches.
- Ⓒ Has a Continuous Line of Roof Rafters.

Ensure the spacing allows for the run length of your awning.

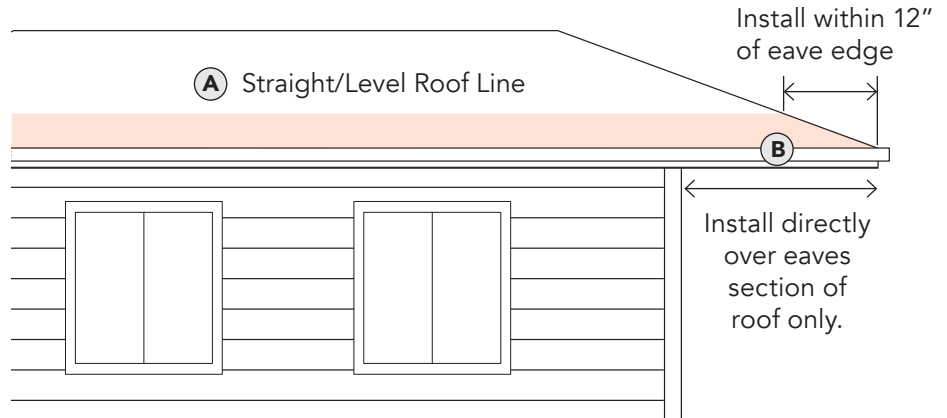
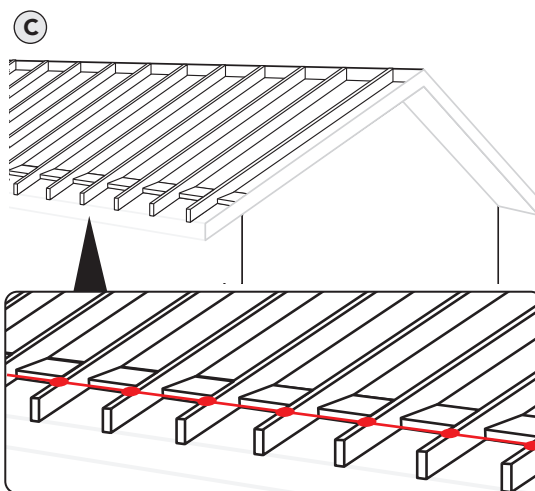
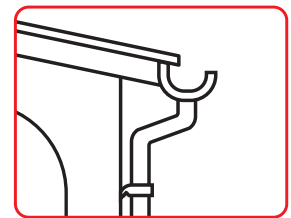


Fig.5



Install directly onto roof rafter.

Fig.6



### ⚠ CAUTION

Gutters may obstruct access to Awning's Open/Close & Tilt Functions

## BRACKET PLACEMENT AND SPACING

Follow your awning's Owner's Manual specifications for proper bracket placement.

**IMPORTANT!** Ensure that you have the sufficient quantity of roof brackets before proceeding with your installation.

All Roof Mount Brackets must be mounted directly to roof rafters or other major structural supports.



**ALL BRACKETS MUST BE MOUNTED DIRECTLY ONTO ROOF RAFTERS OR OTHER MAJOR STRUCTURAL SUPPORTS.**

**FOR OPTIMAL BALANCE OF AWNING WEIGHT DISTRIBUTION, PLEASE FOLLOW THE BRACKET PLACEMENT RECOMMENDATIONS IN AWNING'S OWNER'S MANUAL.**

**NOTE: NOT EVERY INSTALLATION IS IDENTICAL, AND MOST STUDS/STRUCTURAL SUPPORTS WILL NOT ALWAYS ALIGN, THE BRACKETS MAY BE MOVED TO BEST SAFELY FIT YOUR SPECIFIC STUD/STRUCTURAL SUPPORT LOCATION WHILE SUPPORTING THE AWNING ONCE INSTALLED.**

# INSTALLATION

## INSTALLATION

Advaning recommends a min of 1 inch to 2.5 inch max from edge of roof for all Advaning retractable awnings.

- 1 On the Eave/Overhang section of the roof, measure and mark the location where the roof mount bracket will be installed.
- 2 Using a level and chalkline, mark the location.
- 3 Using a stud finder, locate and mark the center of the roof rafters along the roof chalkline mark.
- 4 Aling the bottom (Hinge Hole) of the Bracket Base (Part A) to the marked intersection of the roof-rafter and chalk line.
- 5 Use a level to ensure the Bracket Base is straight/level and mark the center of the mounting holes.
- 6 Using a drill and bit, create pilot holes by drilling through the roof material and directly into the roof rafter.

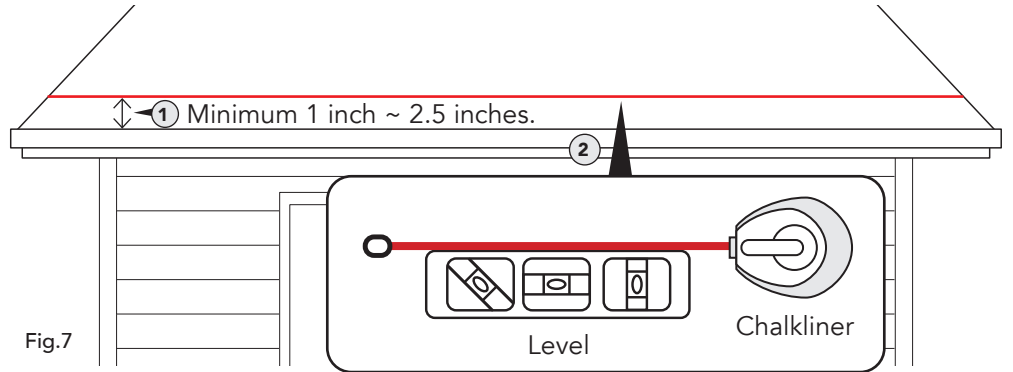


Fig.7

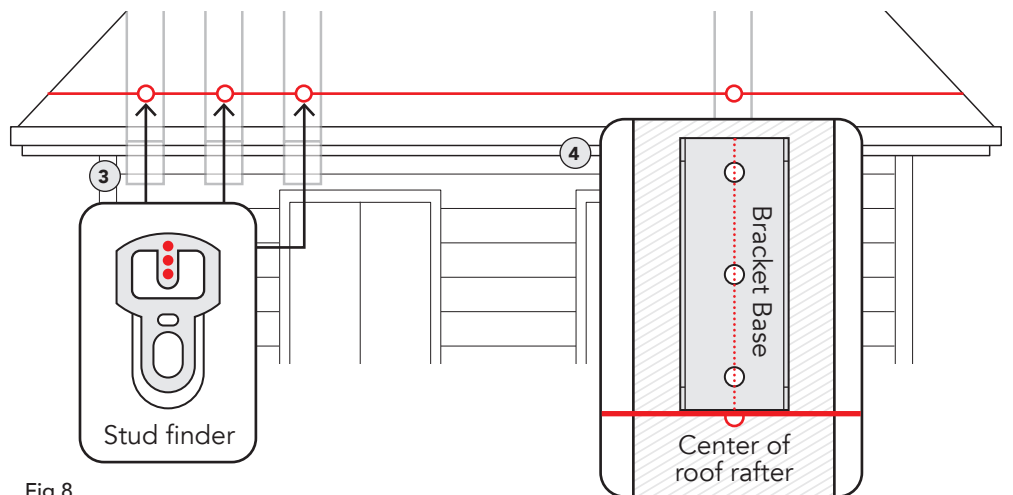


Fig.8

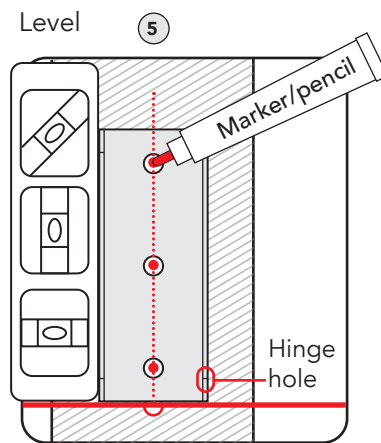


Fig.9

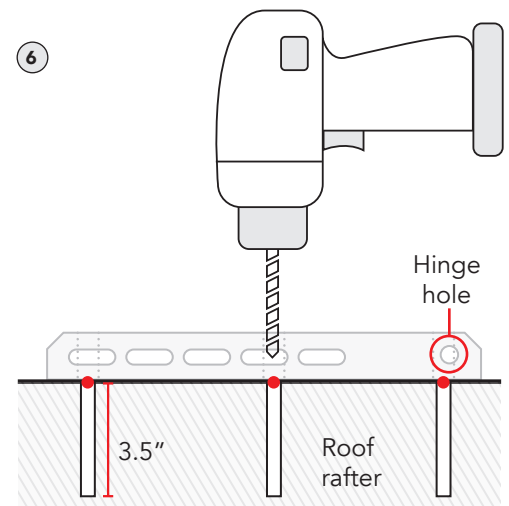


Fig.10

# INSTALLATION

- 7 Apply a bead of roof sealant/cement to the bottom of the Bracket Base.
- 8 Place the bracket over the pilot holes with roof sealant side down and ensure the hinge holes are closest to roof edge.
- 9 Insert lag screw and washer through base securing holes and securely fasten in place with wrench/socket wrench.
- 10 Seal around the entire bracket base and lag screw heads.

Repeat entire process for each additional Roof Mount Bracket

## ASSEMBLING THE BRACKET

- 11 Connect the bracket base to Bracket Face (Part B) with Hinge Securing Bolt Sets (Part E)
- 12 Connect the Hinge Brace's (Part C) to bracket face with the Brace Securing Bolt Sets (Part E)
- 13 With a level, adjust the placement of the hinge brace to base hinge angle setting holes, ensuring the bracket face is level and parallel to structures wall (90°). Secure in place with the Brace Bolts Sets (Part E) and tighten with wrench/socket wrench.

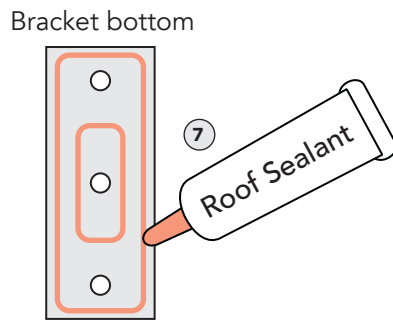


Fig.11

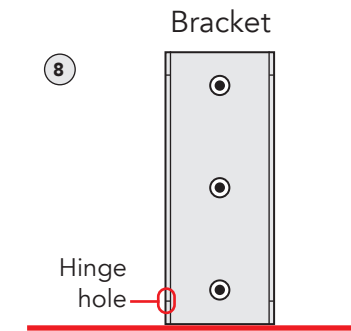


Fig.12

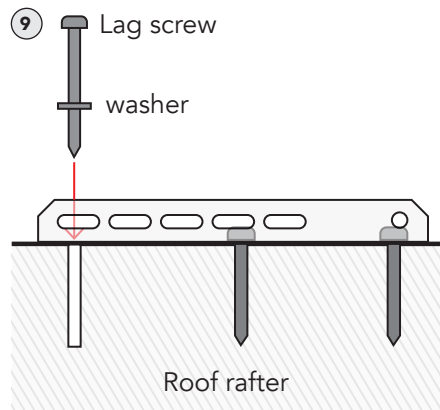


Fig.13

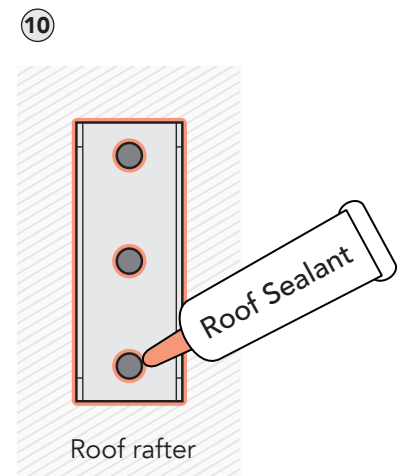


Fig.14

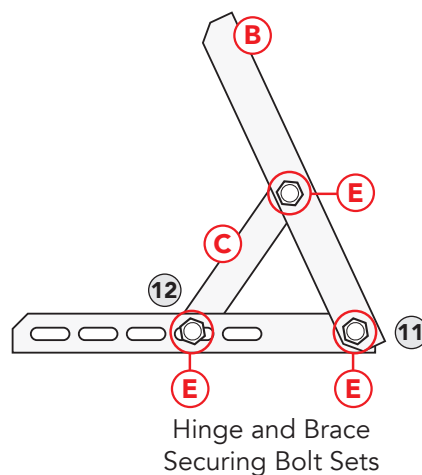


Fig.15

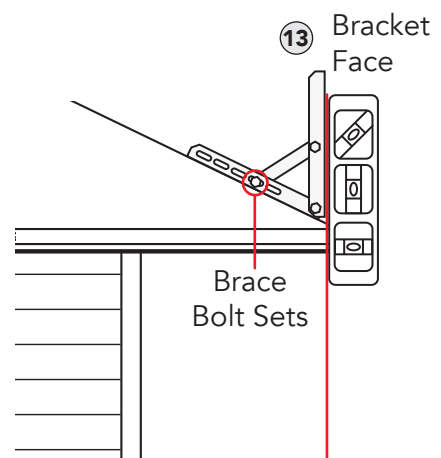


Fig.16



# CONNECTING AWNING BRACKET

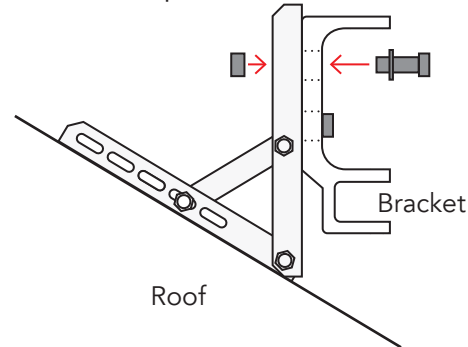
Advancing Retractable Awnings Brackets can be easily attached to the Roof Bracket Face (Part B) using the Bracket Securing Bolt Set (Part D)

After all awning brackets are securing installed onto the Roof Mount Brackets proceed with Awning Installation as instructed in Awning Owner's Manual.

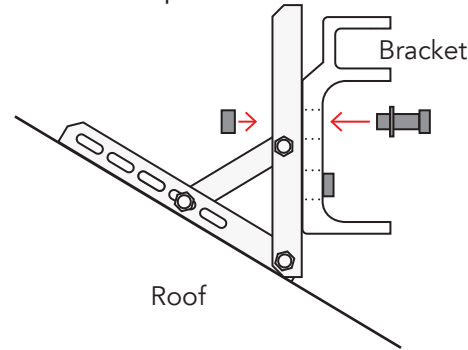
## BRACKET CONNECTION REFERENCE

Luxury & Classic Series Dual Bracket Type

Connection Option 1



Connection Option 2



Slim Gray Series Bracket

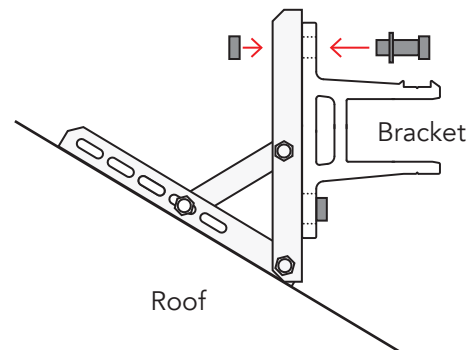


Fig.17

## MAINTENANCE

### SEASONALLY

Clean and remove any debris or accumulation of leaves from collecting on/within the Roof Mount Brackets.

### ANNUALLY

- A. Check the brackets bolts/nuts are securely fastened.
- B. Check the integrity of the roof cement and reapply as needed.

### RECOMMENDATION

When using Roof Mount Brackets with Advaning's Luxury, Classic or Slim Gray Series' awnings the roller tube may be exposed to the sun and elements when the awning is closed. Advaning highly recommends using the All-Weather Awning Cover to protect the awning during periods of non-use.

## LIMITED WARRANTY AND CUSTOMER SERVICE

### ADVANING PARTS & ACCESSORIES

LIMITED WARRANTY COVERS THE FOLLOWING Advaning warrants all Advaning original products, sold and installed within the United States of America and Canada to be free of defects in materials and workmanship. This warranty only applies to the original owner/purchaser of the product and is only effective on a basis of twelve (12) months or one (1) years from the date of purchase. Any defects or issues presented to Advaning within the warranty period will be promptly handled by Advaning customer service and resolved within a reasonable timeframe.

Should the purchaser/original owner submit a warranty claim within the warranty period, Advaning will provide a resolution option that may include new replacement parts, instructions for repair, or both. During the warranty period, owners in Canada, Hawaii, Alaska, and Puerto Rico are covered for parts/replacements at no charge. However, the owner would assume all shipping/handling and applicable duties and taxes. Advaning's Warranty does not cover any return shipping or prepaid return labels. Should the purchaser/owner notify Advaning within the warranty period from the date of the original purchase and after being deemed defective by Advaning, will the warranty claim be resolved by either of the following:

- A. Defective component replacement (shipping charges may apply).
- B. Detailed instructions for correcting the issue. Or both A & B.

### WARRANTY LIMITATION AND EXCLUSION

The warranty will be in effect once the part/accessory is fully paid for. Advaning is not responsible for damage due to faulty modifications, installation, carrier damage, or re-installation. Advaning assumes no liability for damages sustained to any structure to which the part/accessory is attached, or to any properties located beneath or adjacent to said structure. This limited warranty does not cover damage from ice, snow, hail, high winds, vandalism, neglect, improper use, or any natural disaster.

This limited warranty does not cover degradation due to salt corrosion, oxidation, and chipping or peeling of the paint. Powder coated and painted finishes are excluded and are NOT covered under this limited warranty.

# LIMITED WARRANTY AND CUSTOMER SERVICE

ANY MODIFICATIONS OR ALTERATIONS TO THE PRODUCT WILL VOID THIS WARRANTY. ADVANING, INCLUDING ITS SUBSIDIARIES AND AFFILIATES, SHALL NOT BE RESPONSIBLE IN ANY MANNER WHATSOEVER FOR INJURY, DEATH OR DAMAGE TO PROPERTY AS A RESULT OF INTENTIONAL OR ACCIDENTAL MISUSE FOR PURPOSES FOR WHICH THE PRODUCT WAS NOT DESIGNED FOR.

## WHAT IS NOT COVERED BY THE ADVANING LIMITED WARRANTY

This warranty is non-transferable and does not cover product purchases from the initial buyer to a third party. This warranty does not cover incidental damages, such as loss of time, loss of use, or installation costs of defective, repaired or replaced product. This warranty does not cover product that has been damaged or rendered defective as a result of:

- (a) Neglect, abuse or misuse.
- (b) Modification of the original product.
- (c) Improper use or installation using products not manufactured by Advaning.
- (d) Service provided by anybody other than Advaning.
- (e) Abnormal mechanical or environmental conditions.
- (f) Unusual physical or electrical stress -including failure or fluctuation of electrical power, lighting, static electricity, fire, tornadoes, or other natural disasters.

## WARRANTY CLAIMS

If you experience a problem with your Advaning product, contact Advaning Customer Service Representative's by email at [service@advaning.com](mailto:service@advaning.com), by phone at 714-622-2600 Monday ~ Friday from 8:30 am to 4:00 pm PST or by submitting a Warranty Claim via our website; [www.advanding.com/warranty-support/](http://www.advanding.com/warranty-support/)

- Prior to contacting Advaning for warranty claims, please have your model name/number, original proof of purchase, photos, and or videos of the issue experienced ready for our customer service team to assess.
- Submitting a claim will not extend or alter the warranty coverage period.
- Any work done by a 3rd party or non-authorized Advaning agent will void the warranty.

## SHIPPING DAMAGE

On the occasion of a damage claim caused by the shipper/shipping company, the owner must contact their point of sale and the delivery carrier within 3 days of delivery in order to make a claim. Failure to report damage and/or missing parts in a timely manner & in accordance with the carrier's guidelines may result in you incurring all costs. Likewise, there are 5-days from the time of delivery to report missing parts to Advaning.

THIS WARRANTY IS EXCLUSIVE AND IS IN LIEU OF ANY AND ALL OTHER WARRANTIES, EXPRESSED OR IMPLIED. NO IMPLIED WARRANTIES OF MERCHANTABILITY OR FITNESS FOR A PARTICULAR PURPOSE ARE GIVEN, ANY AND ALL LIABILITY FOR BREACH OF ANY IMPLIED WARRANTY OR WARRANTY CREATED BY LAW IS DISCLAIMED. Some states do not allow limitations on how long an implied warranty lasts, so the above limitation may not apply to you. UNDER NO CIRCUMSTANCES SHALL ADVANING, INCLUDING ITS SUBSIDIARIES AND AFFILIATES BE LIABLE FOR INCIDENTAL OR CONSEQUENTIAL DAMAGES WITH RESPECT TO ECONOMIC LOSS, INJURY, DEATH OR PROPERTY DAMAGE, WHETHER AS A RESULT OF BREACH OF THIS WARRANTY, NEGLIGENCE OR OTHERWISE. Some states do not allow the exclusion or limitation of incidental or consequential damages, so the above limitation or exclusion may not apply to you in whole or in part. This warranty gives you specific legal rights. You may also have other rights that vary from state to state.

## CONTACT INFORMATION

### Product Questions?

Please contact Advaning via email at [service@advaning.com](mailto:service@advaning.com),  
by phone at 714-622-2600, or by chat on our website;  
[www.advaning.com](http://www.advaning.com)

Advaning Customer Service is available Monday through  
Friday from 8:30 a.m. to 4:00 p.m. PST

[www.advaning.com](http://www.advaning.com)