

**NOTE:** Installation Guide is generalized for **solid masonry** installations and is intended to help plan for a simple & easy install & product usage. Personal & specific structural physicalities may require deviation from this guide, always consult with a hardware or contractor professional.



**M10 Expansion Bolt**  
for masonry installations

*Sold Separately*  
Part# ZDA-WEB-R2

## Installation.

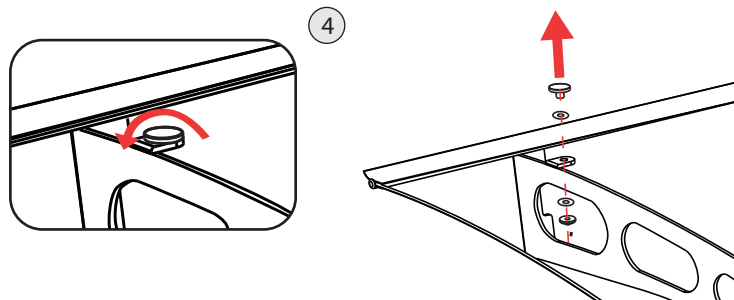
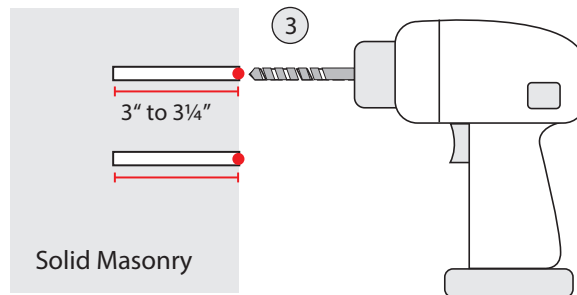
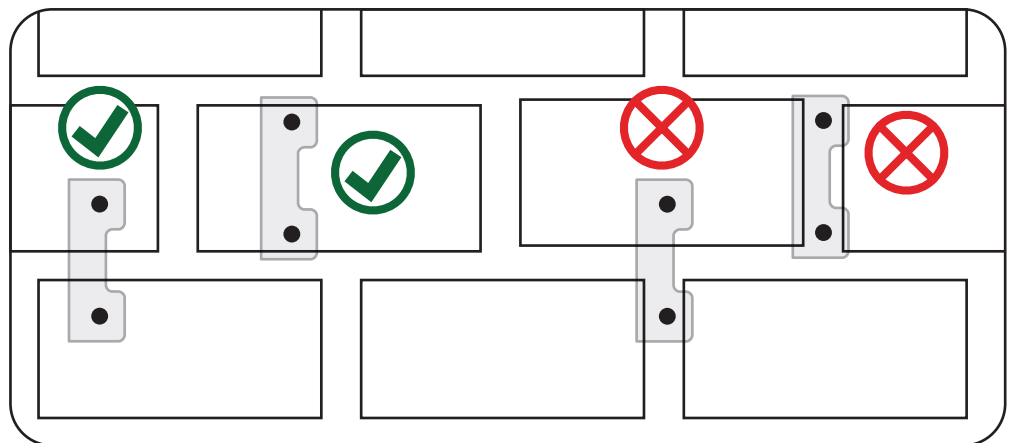
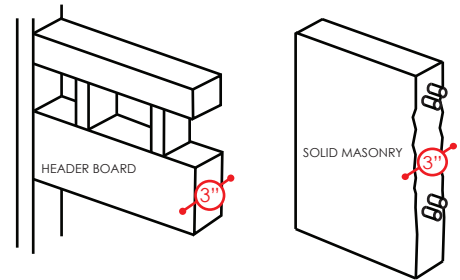
Follow Owners Manual Step 1 and Step 2 for Marking & Pre-Drilling. Continuing here with Step 3 through end.

- With a 3/8" x 4" masonry drill bit, drill holes between 3" to 3.25" deep for each bolt. Remove any excess dust and debris from holes with a tube brush or vacuum.

- Remove the bracket screw set closest to wall to allow the expansion bolt to more easily be secured.

### CAUTION! IMPORTANT!

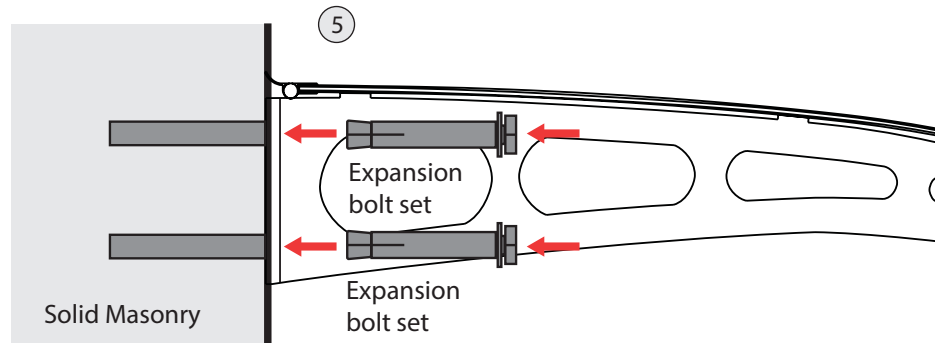
Awning **MUST** be mounted to main structural supports, header, or solid masonry 3-inch in thickness or more. For brick walls, avoid grout lines.



- 5 Align and place the door awning brackets over the pre-drilled holes.

Insert the complete expansion bolt through the bracket until flush.

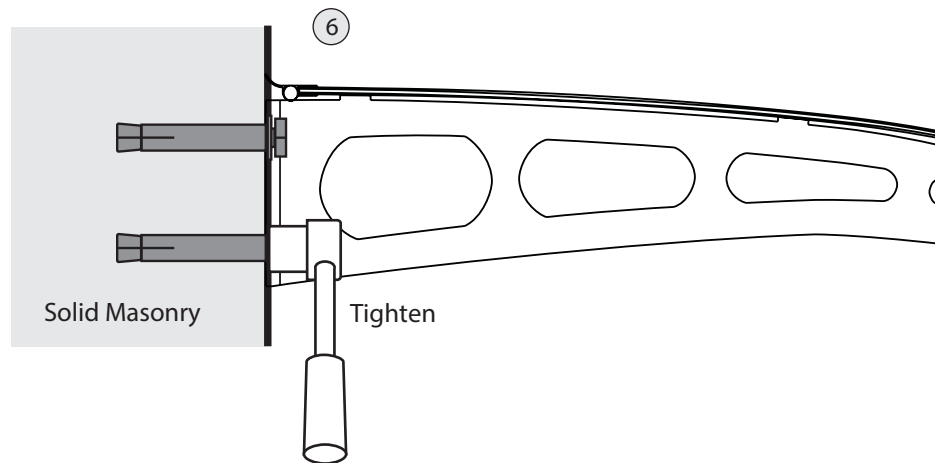
**TIP:** A mallet may be needed to tap the expansion bolt into the wall.



- 6 With a 1/2" socket wrench, tighten the the bolt head. The wedge bolt should begin to tighten within the sleeve with every turn securing the bolt sleeve and wedge into the wall.

**CAUTION:** Do not overtighten, doing so may damage the bracket.

Repeat for all brackets.



- 7 Complete by replacing the bracket screw set.

