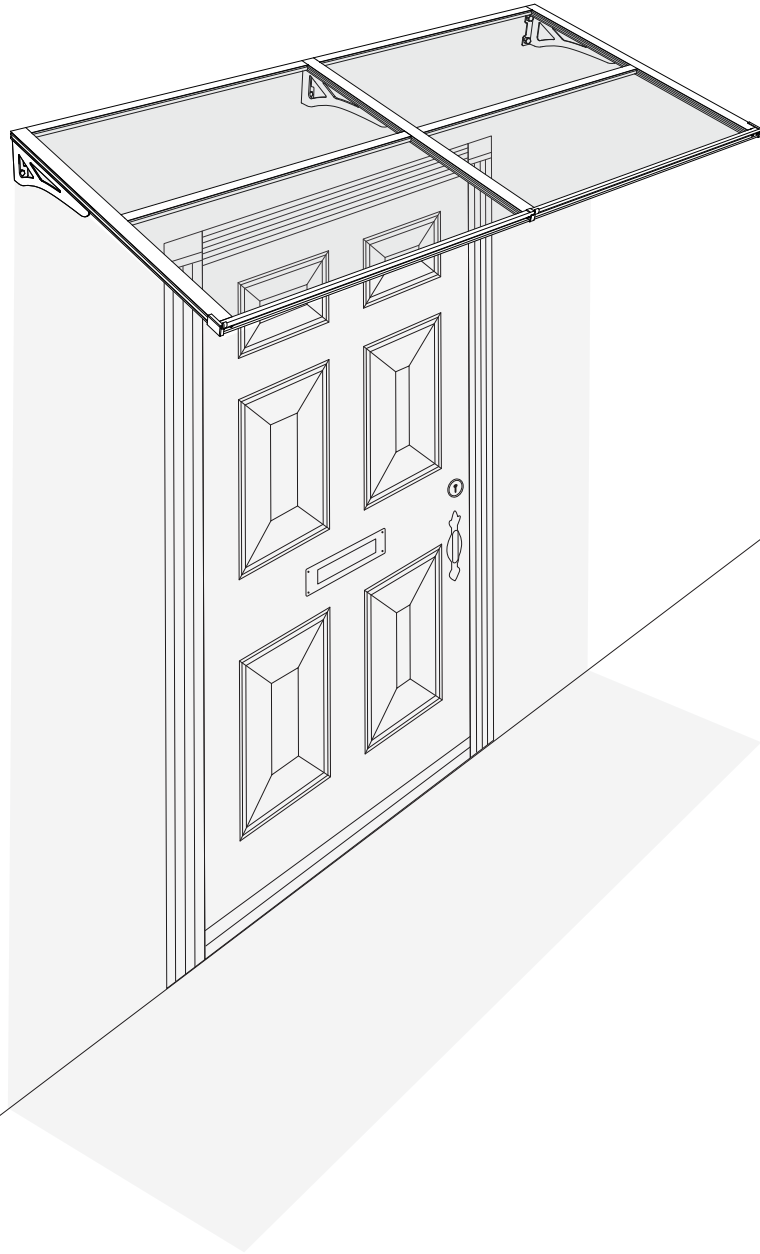


PS SERIES : Polycarbonate Awning



Owner's Manual

For your safety and the safety of others, please read all of the instructions and warnings in this manual carefully before proceeding with assembly and usage.

TABLE OF CONTENTS

Safety instructions and warnings	1~2
Package contents and parts	3
Tool requirements	4
Awning terminology and location	5
Pre-Installation guide	6
Awning assembly	7~11
Ready awning for installation	12
Awning installation	13~15
Extras, care and maintenance	16
Warranty and customer service	17~BC

SAFETY INSTRUCTIONS AND WARNINGS

For your safety, we strongly recommend the following during assembly and installation:

- A: Minimum 2 people
- B: Work gloves
- C: Safety goggles

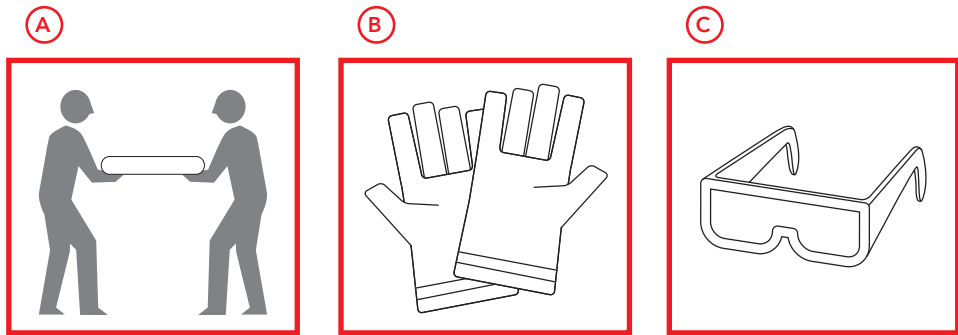


Fig.1

DO NOT ATTEMPT to assemble or install if:

- D: Rain is in the forecast
- E: Wind is in the forecast
- F: You are tired or under the influence of drugs, medication or alcohol

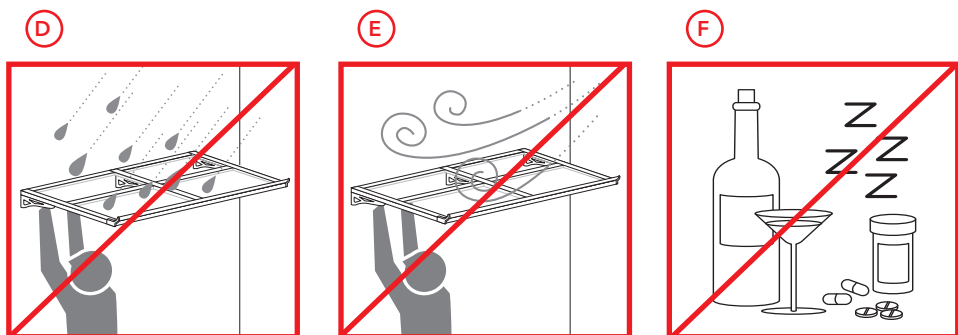


Fig.2

SAFETY INSTRUCTIONS AND WARNINGS

SAFETY FIRST, PLEASE READ THE FOLLOWING POINTS TO REDUCE THE RISK OF PERSONAL INJURY

Owners are solely responsible for the proper handling, storage, assembly, installation, and use of this product. Advaning is not responsible for any damages or injury to you, any other parties, or property resulting from improper handling, storage, assembly, installation, or misuse of the product.

- Consult with your local authorities if any permits are required prior to the installation of this product. This product is intended for residential use only. Do not use this product other than for its intended purpose.
- Advaning recommends consulting with a professional installer/contractor who can best assess your specific installation and its unique challenges to avoid possible injury, property damage and ensure product can be securely attached to main structural supports. Reference Pre-Installation Guide (Page 6), and Awning Installation (Pages 13~15).

ASSEMBLY

- Please keep children away from the assembly area and from handling assembly components.
- Ensure that all screws are properly tightened when assembling the awning.
- Use caution with sharp metal edges by wearing protective gloves and safety goggles.
- Follow all 3rd party manufacturer's safety instructions when using mechanical power tools and ladders during assembly and installation.

INSTALLATION

- Pay close attention throughout the installation process to ensure that the Advaning awning is installed properly and according to the safety guidelines outlined herein.
- Do not attempt installation while under the influence of alcohol or drug substances.
- Do not proceed with an installation if you feel that you cannot properly and safely complete it; please seek professional help.
- Two or more people are recommended for installation. Installation will require lifting the assembled awning. Ascertain that assistance is available to lift and secure in position.
- Make certain that the installation substrate is adequate (the PS Series awning **MUST** be mounted to the main structural supports) studs, header board, or solid masonry 3-inch in thickness or greater.
- Do not drill into walls where electric wiring, gas pipes, or water pipes may exist.

USAGE

- Only use Advaning-recommended accessories and original replacement parts.
- Only perform installation, maintenance, and cleaning in dry and optimal weather conditions.
- Never put a heat source or an open flame under or near the awning.
- Do not place, hang, or stand objects or people on the awning itself. Doing so can damage the awning or cause severe personal injury and, in extreme cases, death.
- Do not carry out any maintenance other than what is shown in this manual. For any issues that are not covered in this manual, please seek support from Advaning Customer Service. Email: service@advaning.com
- The product should be used only as described within this owner's manual.



CAUTION! AWNING MUST BE MOUNTED TO MAIN STRUCTURAL SUPPORTS OR SOLID MASONRY. FAILURE TO DO SO MAY RESULT IN PERSONAL INJURY, PRODUCT OR PROPERTY DAMAGE.

PACKAGE CONTENTS AND PARTS

Before attempting your assembly, please ensure the package contains all parts and qty's as listed on this page.

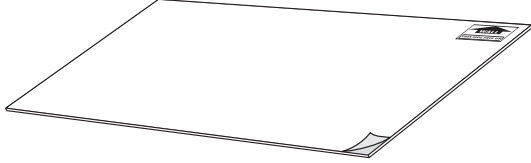
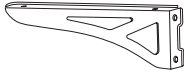

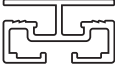

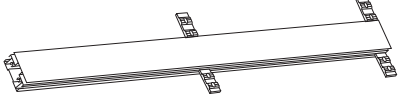


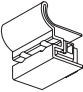






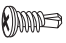


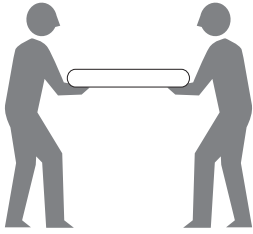
	Part		Quantity
A	Solid Polycarbonate Sheet		4
B	Steel Bracket		3
C	Rear & Center Cross Bar	 <small>Side View</small> 	4
D	Parallel Bar		1 Left 1 Right
E	Center Parallel Bar		1
F	Front Gutter Bar	 <small>Side View</small> 	1 Left 1 Right
G	Gutter Connector		1
H	Gutter End Cap		1 Left 1 Right
I	Long Rubber Gasket	 <small>Side View</small> 	8
J	Short Rubber Gasket	 <small>Side View</small> 	8
K	Gutter Securing Screw		6
L	Bracket Securing Screw		6
M	Lag Screw and Washer		6
N	Mounting Hardware Cap		6

Fig.3

TOOL REQUIREMENTS

RECOMMENDATION

Minimum 2 people to install.



INCLUDED:

- ① 3mm Allen Wrench
- ② Plastic Scraper

REQUIRED:

- ③ Marker / Pencil
- ④ Scissors
- ⑤ Chalk Line / Laser Level
- ⑥ Stud Finder
- ⑦ Measuring Tape
- ⑧ Slow Curing Outdoor Silicone (Clear)
- ⑨ Level
- ⑩ Rubber Mallet
- ⑪ Phillip Head Screw Driver
- ⑫ Painters Tape
- ⑬ 1/2" Wrench or Socket Wrench
- ⑭ 15/64" or 1/4" Drill Bit/s for Wood Installs
- ⑮ Power Drill
- ⑯ Ladder/s

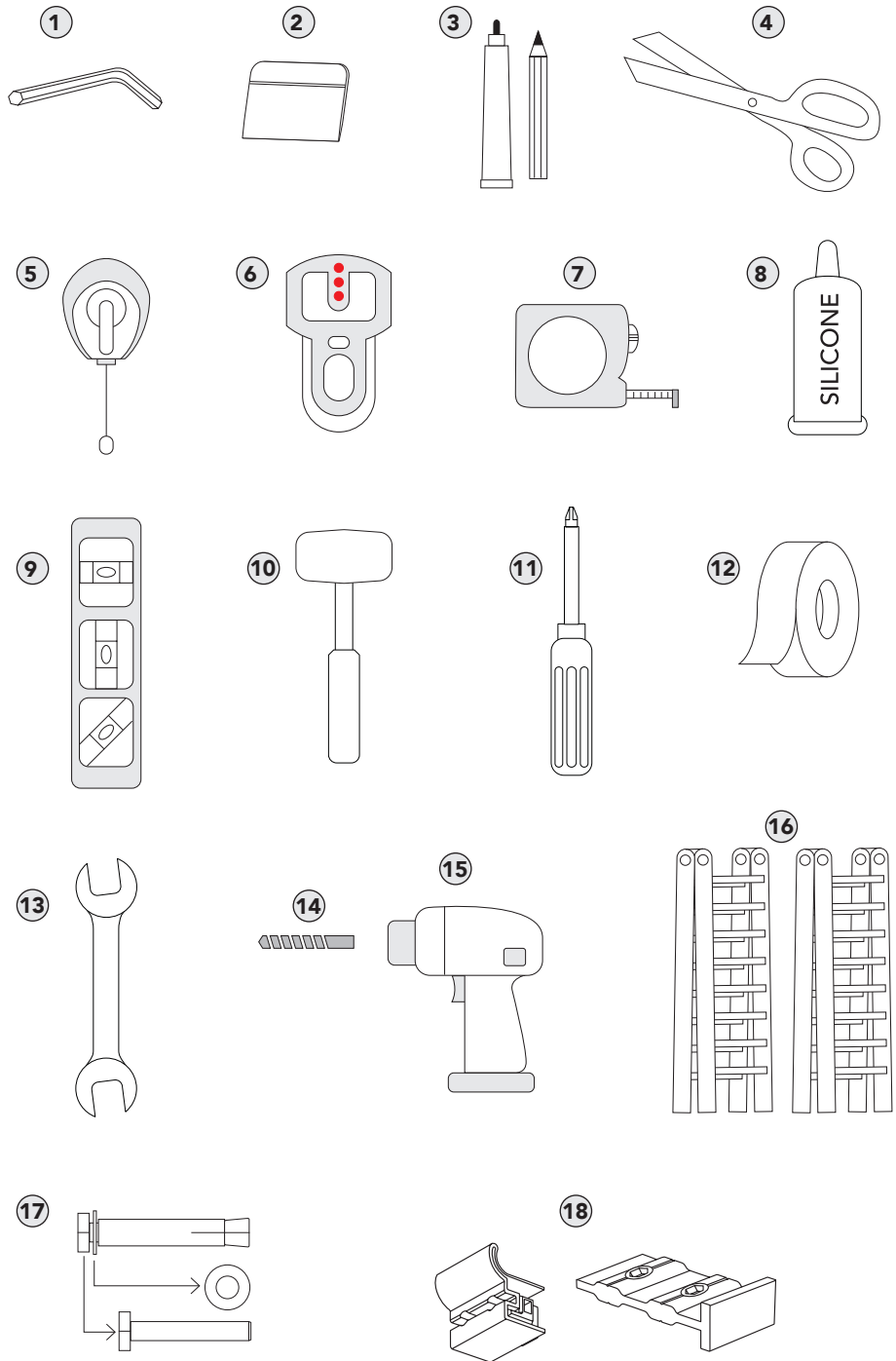


Fig.4

ADDITIONAL PARTS / SOLD SEPARATELY:

- ⑰ Solid Masonry Installs Require: Masonry Expansion Bolt Part# ZDA-WEB-R2
- ⑱ Connecting Multiple Units: Gutter Connectors (Part# ZDA-FGC-BL) and Bar Inserts (Part#, ZDA-TIS-CG)

AWNING TERMINOLOGY AND LOCATION

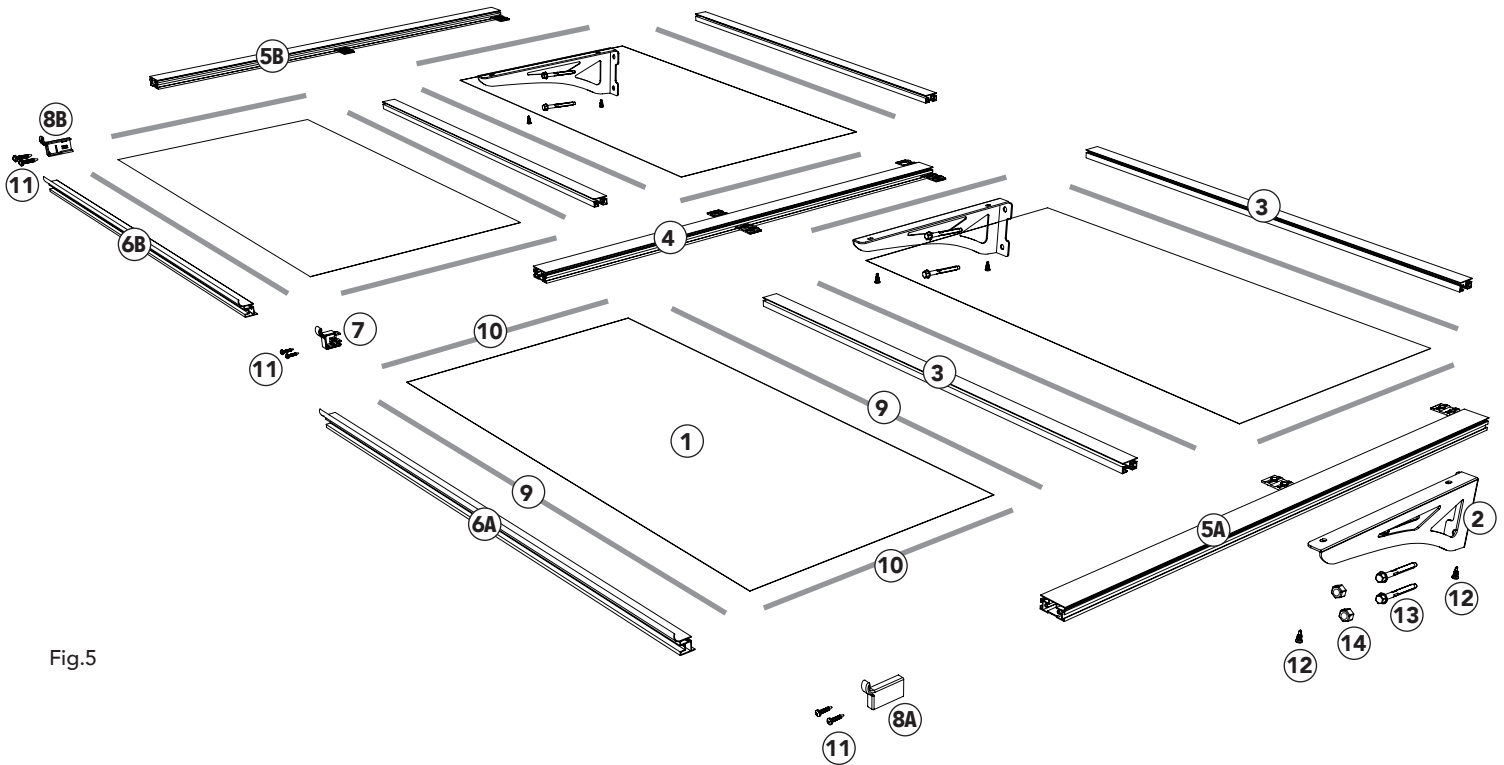


Fig.5

Note: For illustration purposes, multiple or duplicate parts are not necessarily labeled.

- | | | |
|-----------------------------|---------------------------|---------------------------|
| ① Solid Polycarbonate Sheet | ⑥A Front Gutter (RIGHT) | ⑩ Short Rubber Gasket |
| ② Steel Brackets | ⑥B Front Gutter (LEFT) | ⑪ Gutter Securing Screws |
| ③ Rear/Center Cross Bar | ⑦ Gutter Connector | ⑫ Bracket Securing Screws |
| ④ Center Parallel Bar | ⑧A Gutter End Cap (RIGHT) | ⑬ Lag Screw and Washer |
| ⑤A Parallel Cross (RIGHT) | ⑧B Gutter End Cap (LEFT) | ⑭ Mounting Hardware Cap |
| ⑤B Parallel Cross (LEFT) | ⑨ Long Rubber Gasket | |

PRE-INSTALLATION GUIDE

PLANNING YOUR AWNING INSTALLATION

With a stud finder, locate your structural header, or studs. Ensuring the brackets will align and can be directly attached.

In some cases a header board may be added to ensure a safe and secure installation.

- (A) Minimum 2 inches of clearance below the roof/eave/overhang.**
- (B) 8 inches of clear vertical space – the run length of your awning size.**
- (C) Minimum 39 inches of clear depth space.**



Run length (B) should be free and clear of any obstructions along the entirety of planned install.

Awning Model: DA7935 = 79 inches of run length

Awning Model: DA9435 = 94 inches of run length

The PS series allows for two units to be connected for longer run lengths. Please visit www.advaning.com or contact Advaning's customer service for detailed instructions and additional parts needed before proceeding with assembly.

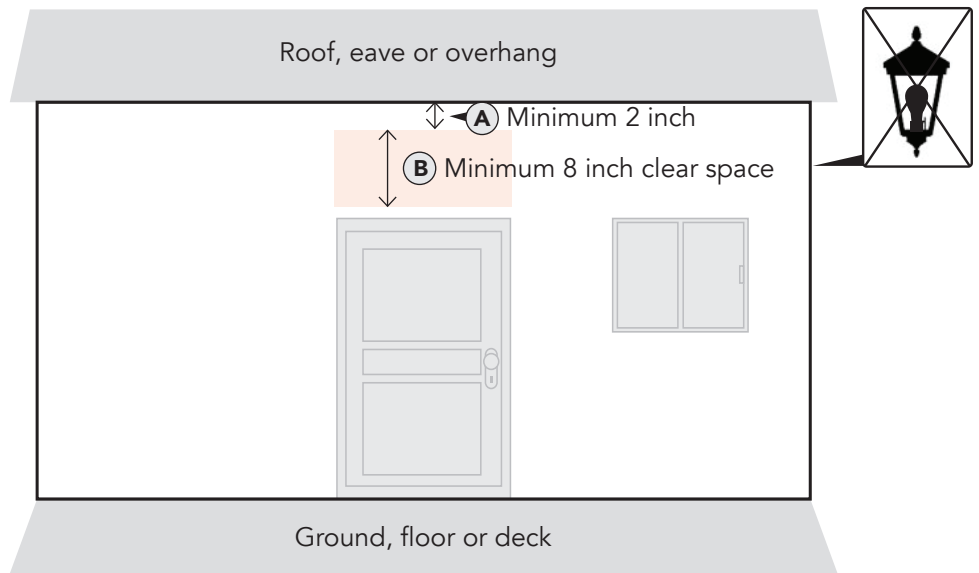


Fig 6

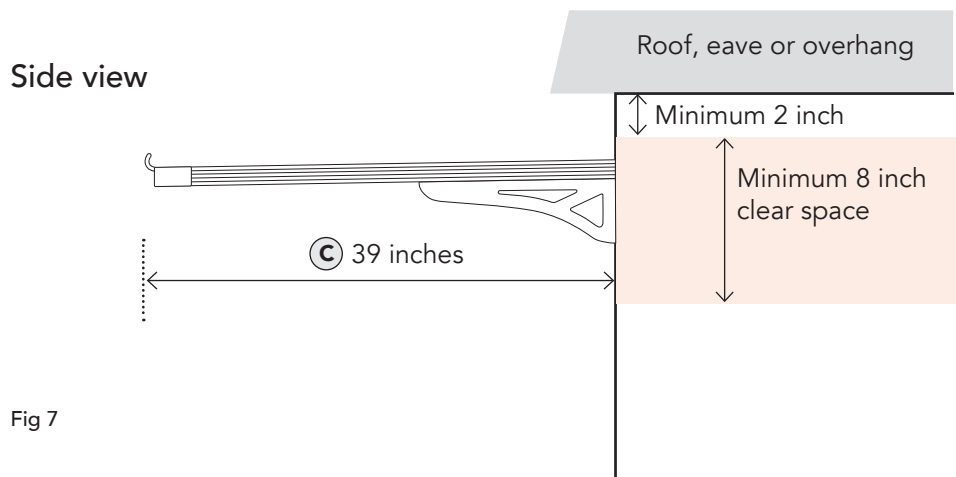


Fig 7

CAUTION!

PS Series awning MUST be mounted to main structural supports, header, or solid masonry 3-inch in thickness or more.

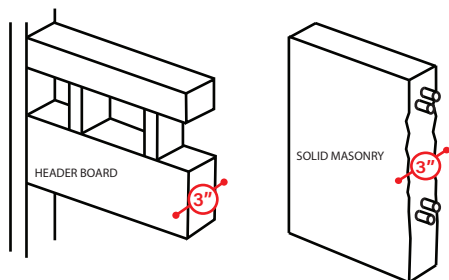


Fig 8

AWNING ASSEMBLY

ASSEMBLY PREPERATION

Avoid scratching or denting the frame parts or components; assemble them on a clean and clear table or floor.

A moving blanket or cardboard is recommended to be laid over the working area where parts or assembly may rest.

ASSEMBLY

- 1 Prepare your polycarbonate sheets (A) by folding $\frac{1}{2}$ " of the protective film all four sides, top and bottom, exposing the polycarbonate.
- 2 Lay the Center Parallel Bar (E) with the bracket holes facing up.
- 3 Guide 1 Rear and 1 Cross Bars (C) onto the Center Parallel Bar inserts.
- 4 With a 3mm Allen Wrench loosely secure the Rear and Cross Bars.



DO NOT OVERTIGHTEN, Overtightening can cause gaps or separation on the flat (top) side of the awning.

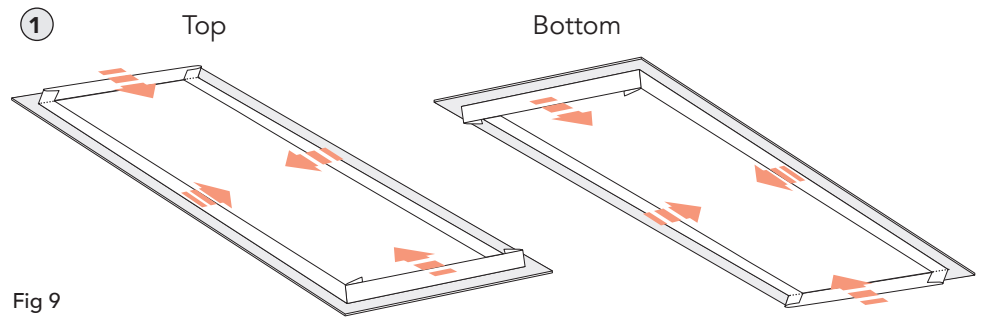


Fig 9

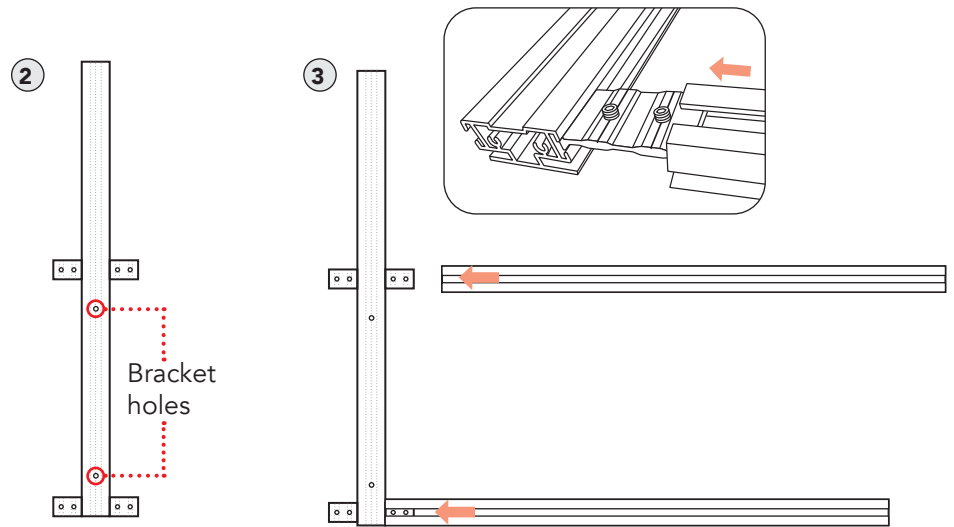


Fig 10

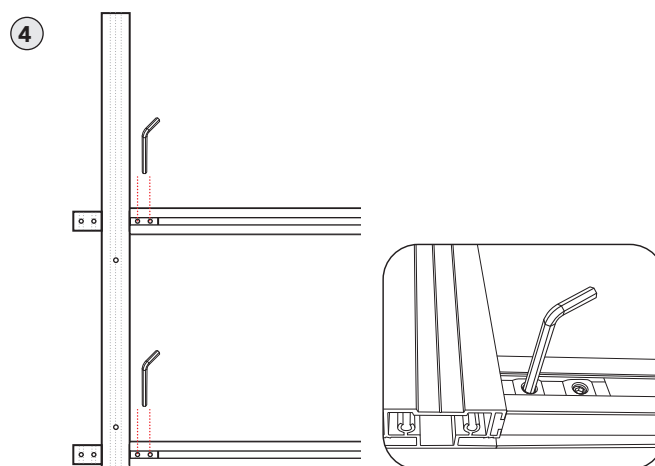


Fig 11

AWNING ASSEMBLY

- ⑤ Align and insert the polycarbonate sheet (bottom facing up during assembly) into the Rear and Cross Bars until it slides into the Center Parallel Bar.

NOTE: The Cross Bar can be adjusted as needed to frame the Polycarbonate Sheet by gently tapping with a mallet.

- ⑥ With the bracket holes facing up, align and insert the Right Parallel Bar (D) insert into the Rear and Cross Bars until flush.

NOTE: The Parallel Bar Insert/Tab can be adjusted as needed to slide into the Cross Bar by gently tapping with a mallet.

- ⑦ With a 3mm Allen Wrench loosely secure the Rear and Cross Bars



DO NOT OVERTIGHTEN, Overtightening can cause gaps or separation on the flat (top) side of the awning.

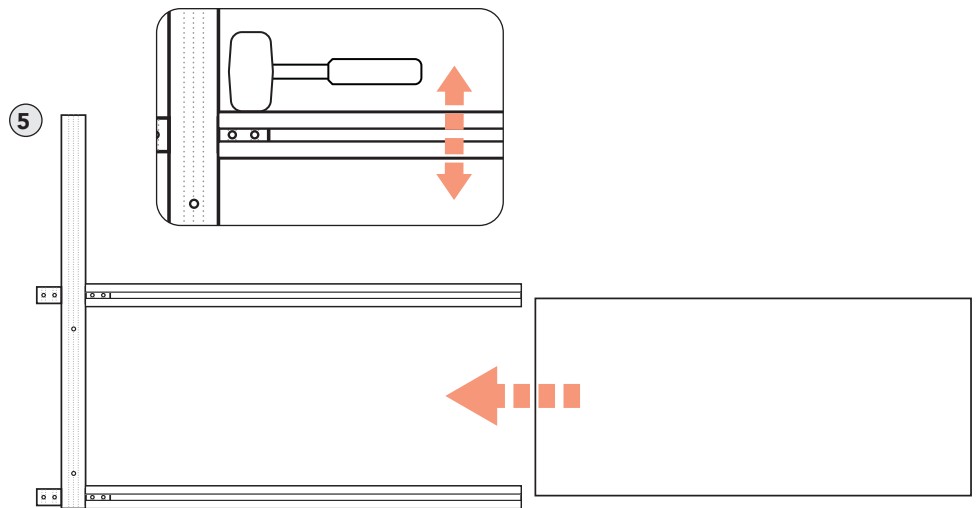


Fig 12

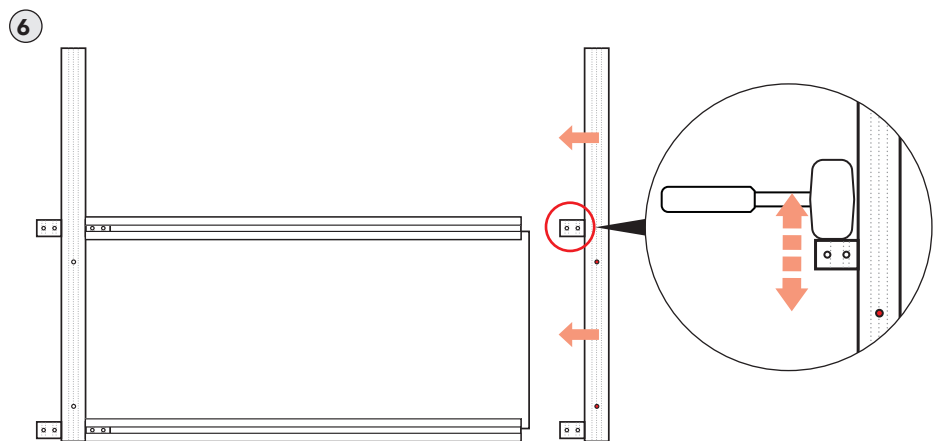


Fig 13

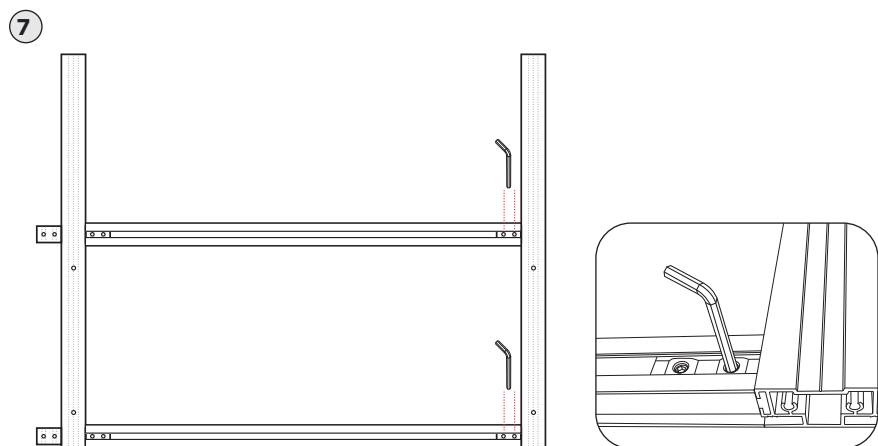


Fig 14

AWNING ASSEMBLY

- Align and insert the polycarbonate sheet (bottom facing up during assembly) into the Center and Right Parallel Bars until it slides into the Cross Bar.

NOTE: The Front Gutter Bars have pre-drilled holes, the single hole side will connect to the Center Parallel Bar.

- Insert the Gutter Connector (G) to Front Gutter single hole side of the Right Front Gutter (F).
- Insert and attach the Right Front Gutter (F) to Parallel Bars.
- Secure in place with the Gutter Securing Screws (K).

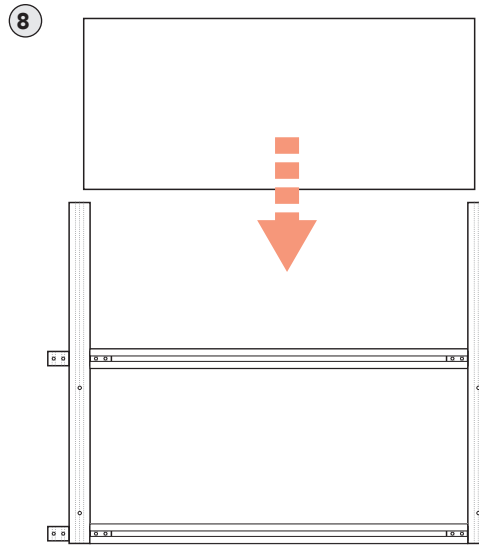


Fig 15

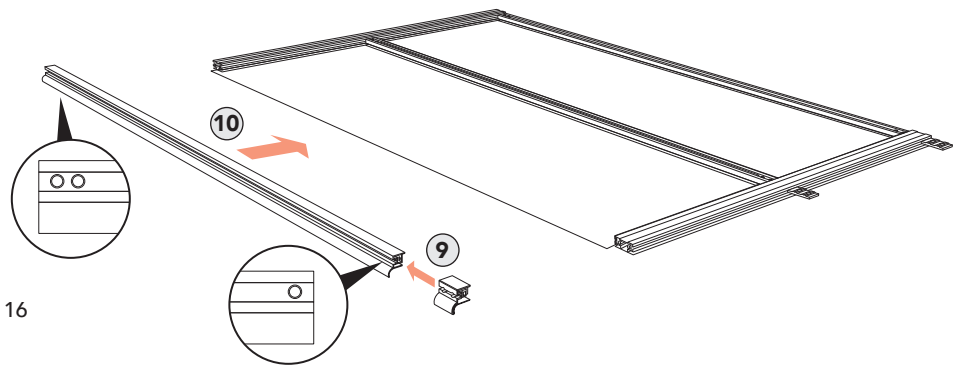


Fig 16

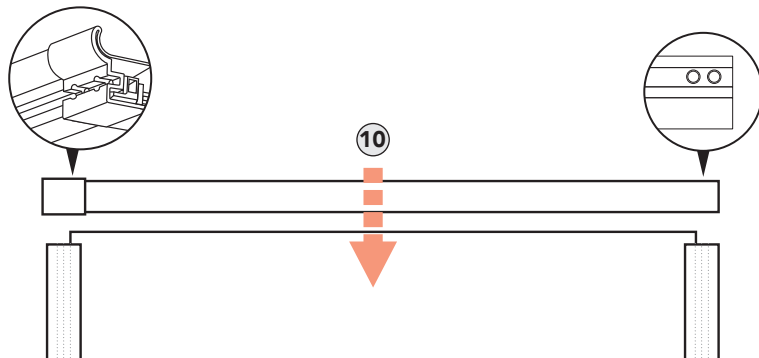


Fig 17

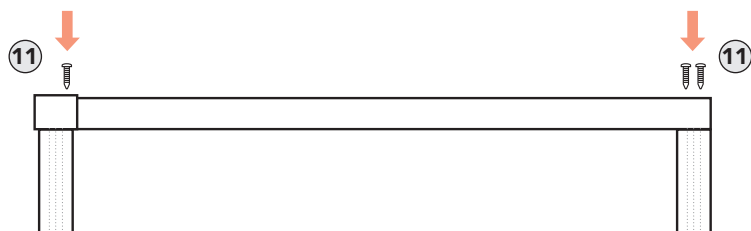


Fig 18

AWNING ASSEMBLY

- ⑫ Repeat steps 3~8 for LEFT side of the awning.
- ⑬ Align and slide the Left Front Gutter (F) into the Gutter Connector and secure in place with the Gutter Securing Screws (K).

Using a 3mm Allen Wrench inspect all joint connections, DO NOT OVERTIGHTEN, Overtightening can cause gaps or separation on the flat (top) side of the awning.

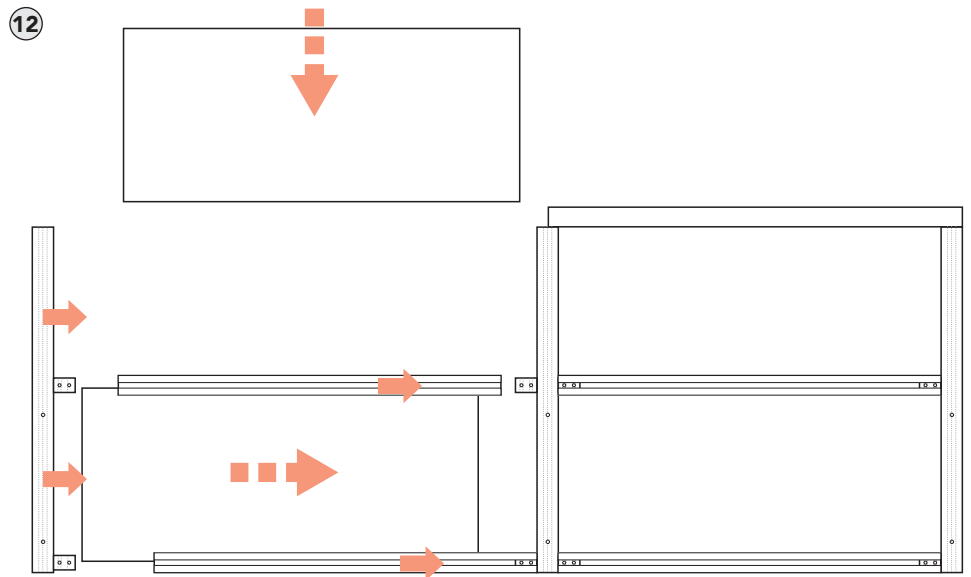


Fig 19

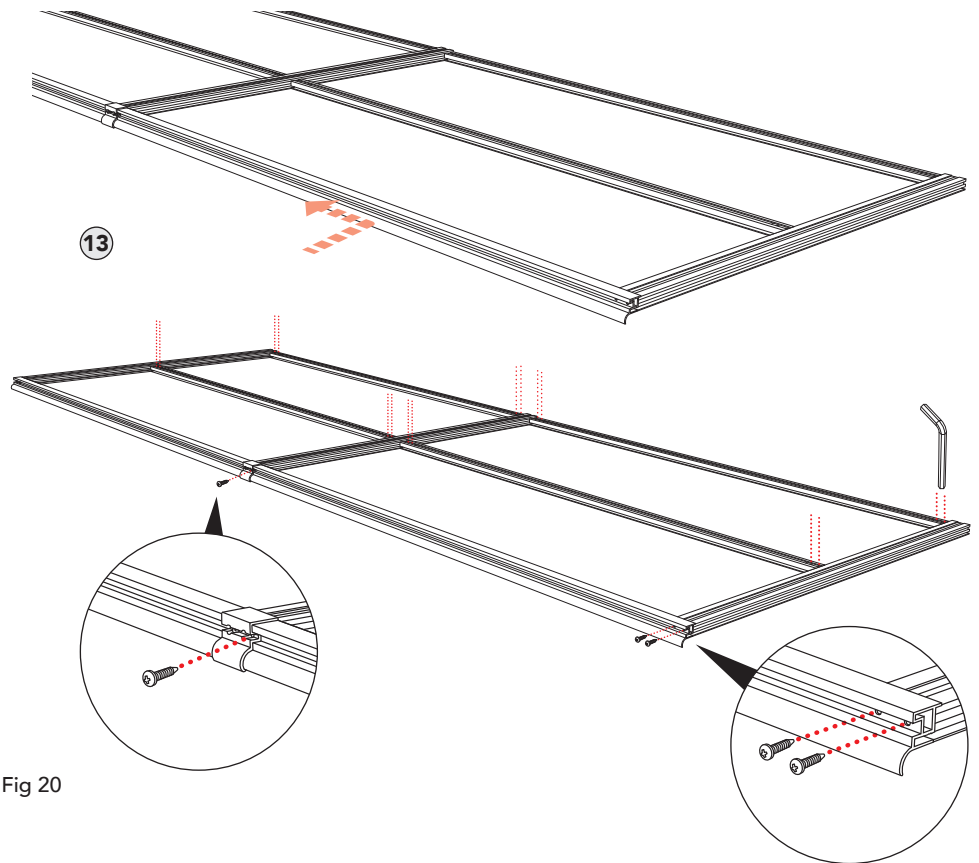


Fig 20

AWNING ASSEMBLY

INSERTING THE RUBBER GASKETS

Continue with the flat side of the frame down/ bottom of the awning facing up.

- ⑭ Lay the Long Rubber Gasket (I) onto the assembled awning. Note the curved design (Reference Fig. 21) end of the Rubber Gasket; this curved portion will be exposed when complete.
- ⑮ With a Plastic Scraper, gently but firmly tuck the Rubber Gasket in between the Polycarbonate Sheet and Rear/Center Cross and Front Gutter Bars. Cut off any excess of the Rubber Gasket with scissors.
- ⑯ Continue with the Short Rubber Gaskets (J) in the same manner until all Polycarbonate Sheets are framed and secured in place with the Rubber Gaskets.

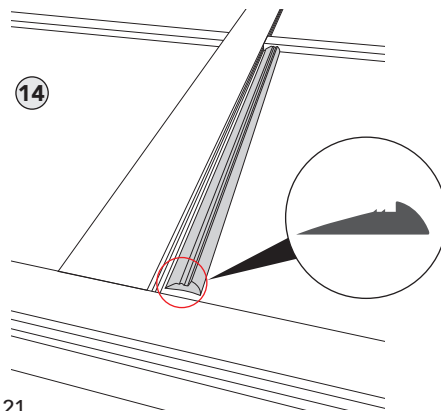


Fig 21

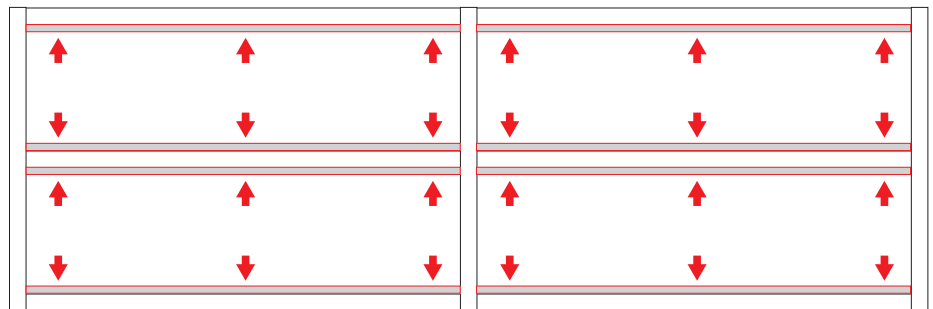
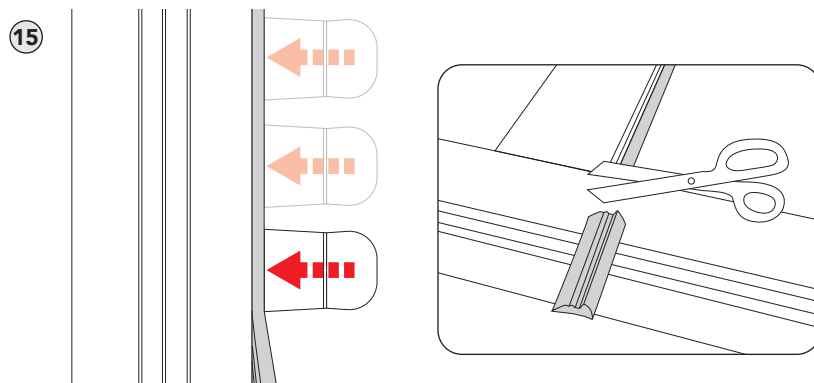


Fig 22

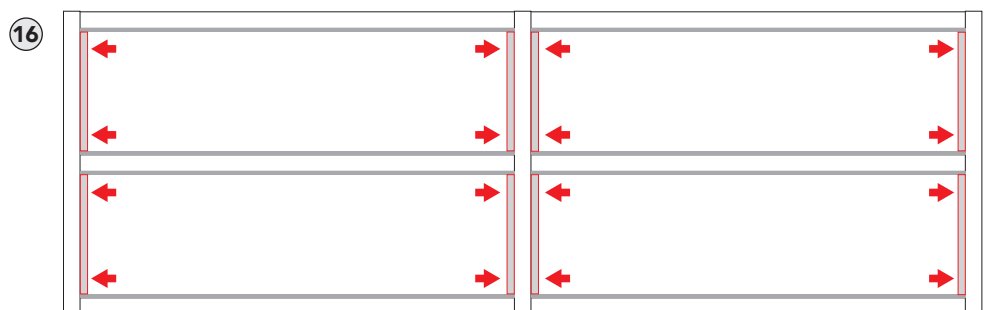


Fig 23

READY AWNING FOR INSTALLATION

- ① Flip the awning over, so that the top of the awning is facing up and carefully remove the polycarbonate protective film (top-side only).

NOTE: Inspect the top of the awning seams, if there is a gap or unevenness, flip the awning over and inspect the connections from being overtightened.

- ② With Painters Tape carefully frame the polycarbonate to frame and frame connection seams on top of the awning.
- ③ Carefully apply a small bead of Slow Curing Silicone inside the Painters Tape channels ensuring that the entire polycarbonate to frame and frame connection seams are covered.

Continue to next steps, allowing the silicone to cure for a few hours before removing the painters tape.

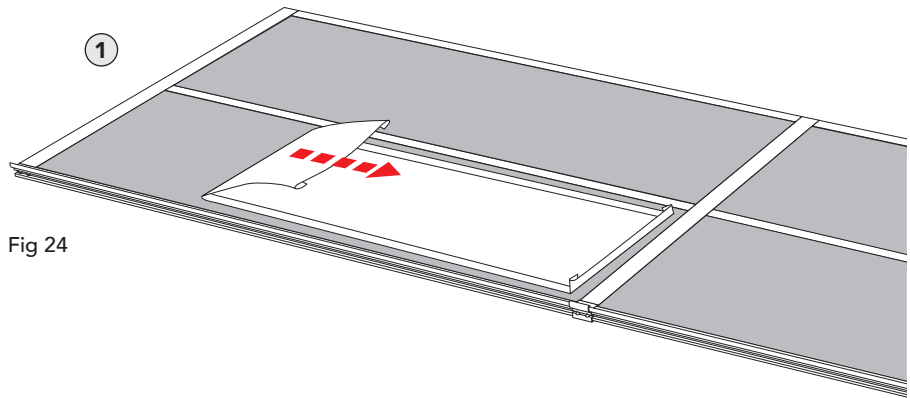


Fig 24

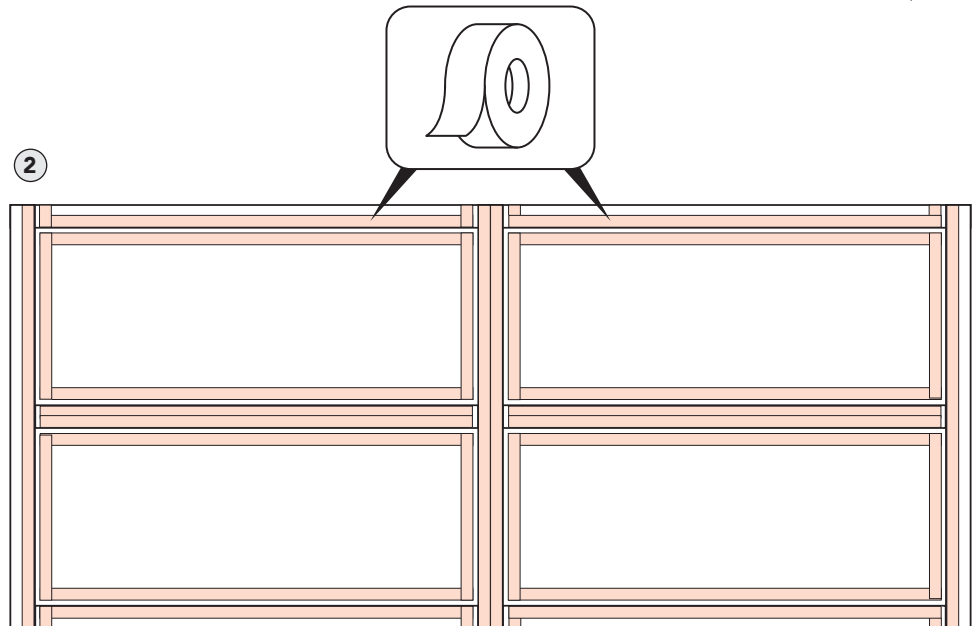


Fig 25

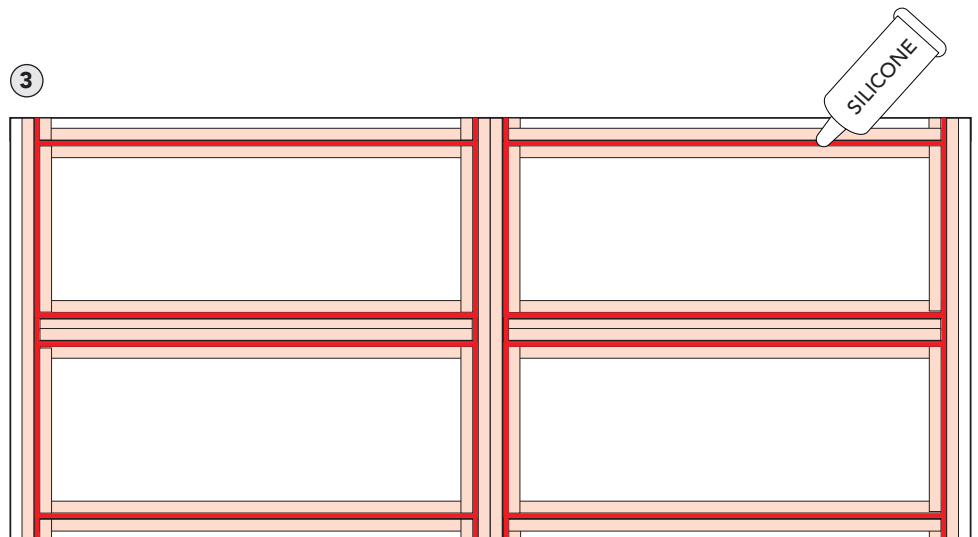


Fig 26

AWNING INSTALLATION

INSTALLING THE BRACKETS

- ① With a Stud Finder locate the header, or studs and with a Chalk Line/Laser Level mark the installation area.
- ② Use a Steel Bracket (B) to then mark the location for your center bracket pilot holes.
- ③ Using the center bracket marked pilot holes, a measuring tape, and level; measure the distance to outer brackets in both directions and use a Steel Bracket to mark the location the outer bracket pilot holes.



Most exterior wall/surfaces are not always flat which may affect the brackets placement. Always double check your frame measurement bracket distance to the dimensions provided below BEFORE drilling your pilot holes.

Distance from bracket to bracket (center):

Model: DA7935 = 38.48"

Model: DA9435 = 46.35"

- ④ With a Power Drill and Drill Bit, drill through you wall surface ensuring your pilot holes go through main structural supports, header, or studs.

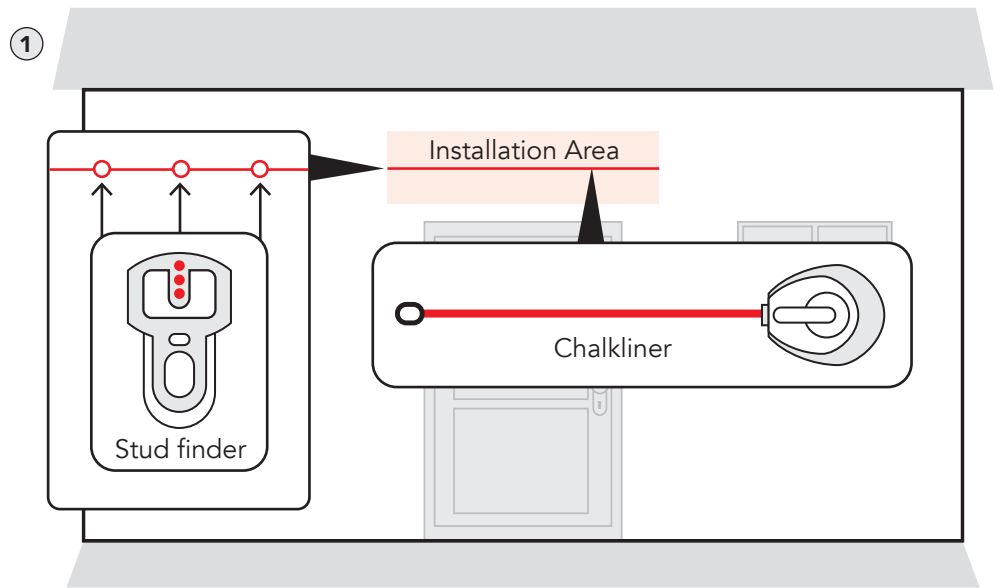


Fig 27

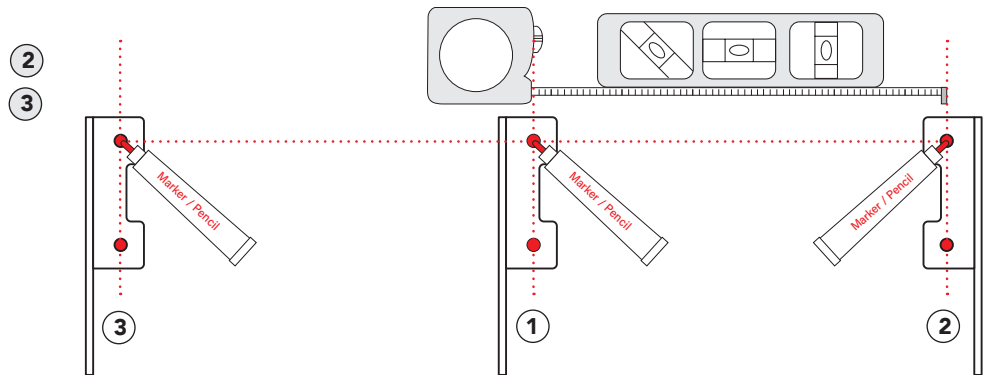


Fig 28

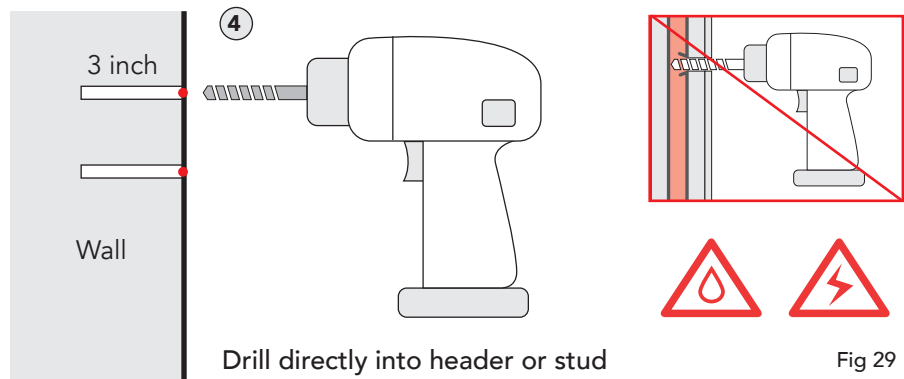


Fig 29

CAUTION: DO NOT drill where electrical, gas, or water supply lines may exist.

AWNING INSTALLATION

- ⑤ A small amount of Slow Curing Silicone can be applied into the pilot holes.
- ⑥ With a Wrench/Socket Wrench secure the Brackets onto wall with the Lags Screws and Washers (M).
- ⑦ With a helper/s and ladders, lift the awning onto the installed brackets. Ensuring that the flat side of the frame is facing up and Front Gutter is away from the wall.



Wear Safety Eye Protection before proceeding with step 8. The Bracket Securing Screws (L) will burr through the metal pre-drilled holes.

- ⑧ With a helper/s holding the awning in place, use a Phillips Head Screwdriver to insert the Bracket Securing Screws (L) through Steel Bracket and into the Parallel Bars pre-drilled bracket holes, securing them in place.

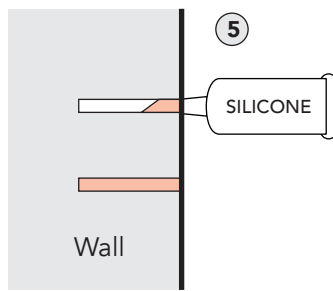


Fig 30

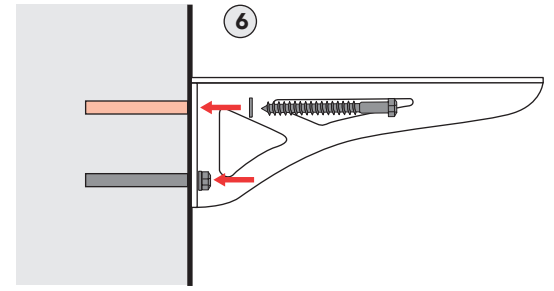


Fig 31

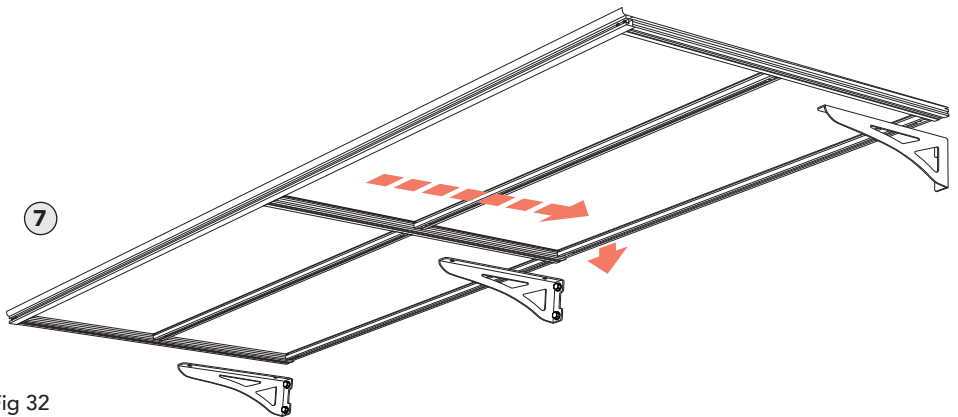


Fig 32

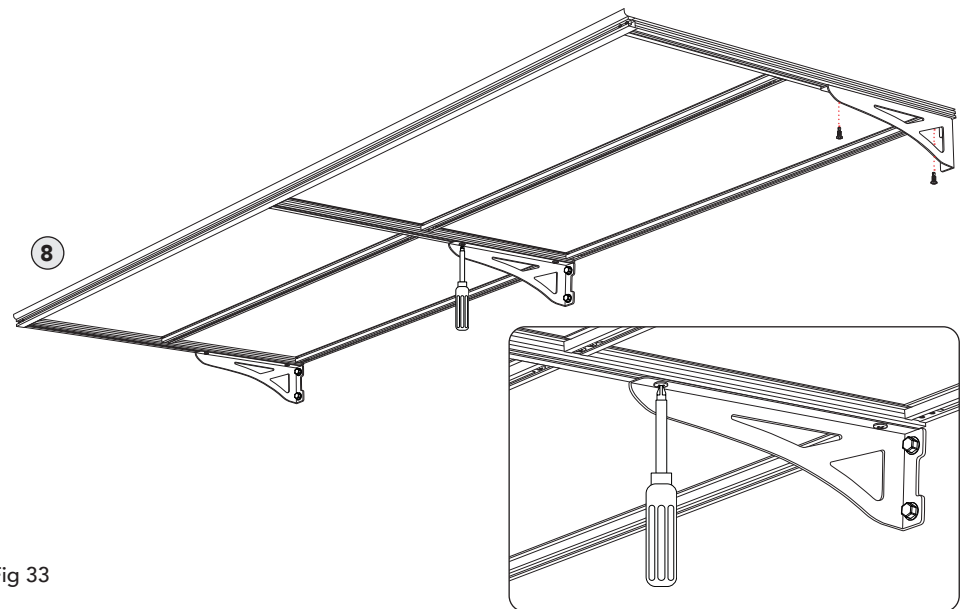


Fig 33

AWNING INSTALLATION

- ⑨ With the awning securely attached to the brackets, gently peel the bottom polycarbonate protective film from the polycarbonate sheets.

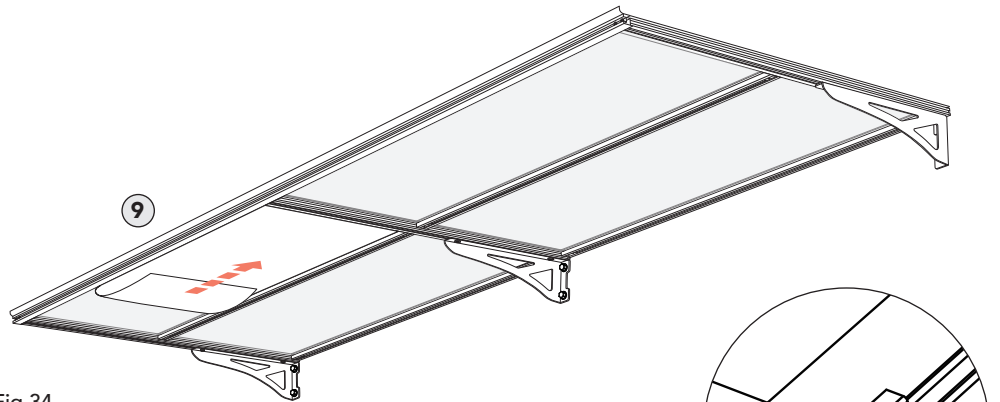


Fig 34

COMPLETE INSTALLATION

- ⑩ Apply a small dot of slow curing silicone to the Gutter End Caps Left and Right (H) and clip into place on both sides.
- ⑪ Apply a small dot of slow curing silicone to the Lag Screw head and with a Mallet tap the Mounting Hardware Cap (Part N) in place.
- ⑫ Apply a small bead of slow curing silicone to the wall connection seam of the awning frame to prevent water seepage.

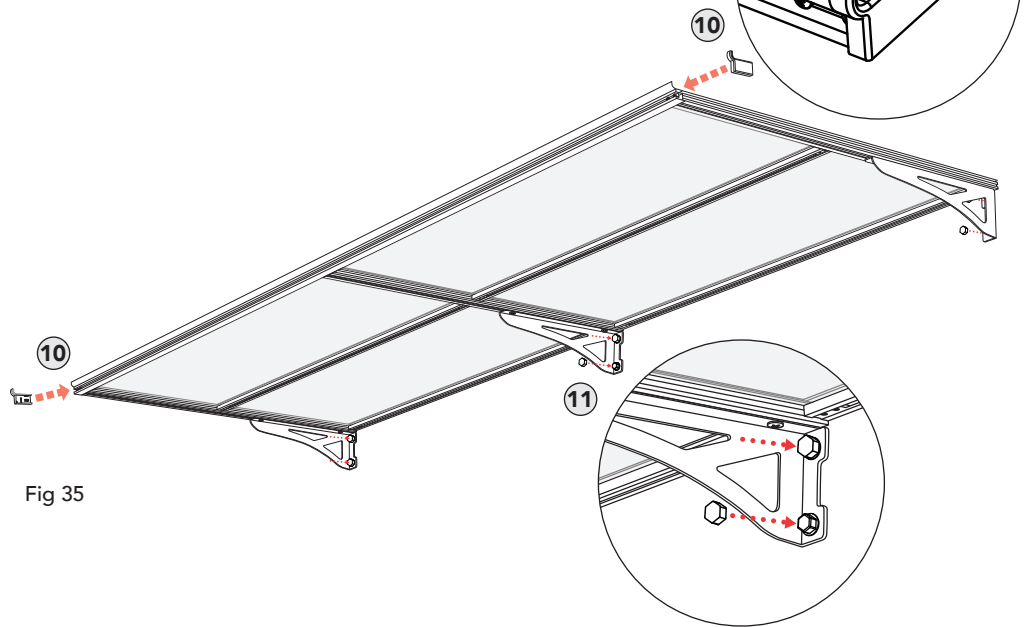


Fig 35

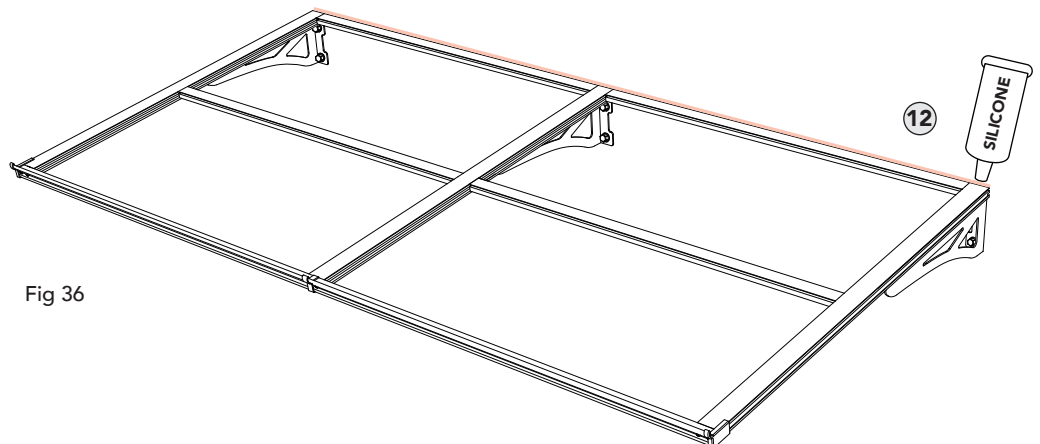


Fig 36

EXTRAS, CARE AND MAINTENANCE

CONNECTING TWO OR MORE UNITS

PS Series allows for multiple units to be connected for a custom run length. To prepare for connecting units, please contact Advaning service dept. for additional parts needed. You can download the step by step instructions for connecting multiple units via www.advancing.com

CLEANING

Cleaning the polycarbonate on your awning can be achieved with a simple solution of mild soap and water (1 part soap to 2 parts water) and a standard garden hose with a pressure nozzle to remove any accumulated dust, dirt, or debris. A specialty polycarbonate cleaner can be used, however, we recommend testing a small section before proceeding to entire polycarbonate. Never use acetone, abrasive cleaners, or other detergents to clean the awning.

CARE AND MAINTENANCE

Advaning recommends an annual inspection of the screw connections and seal condition. Tighten and replace parts or reapply silicone as needed. All parts can be easily obtained from Advaning should there ever be a need for replacement.

SNOW LOADS

Although the awning is made to handle significant loads, we recommend clearing accumulated and packed snow whenever possible. A long handled squeegee can be used to assist with removing excess snow. Please visit www.advancing.com for full independent weight capacity test results.

WARRANTY AND CUSTOMER SERVICE

ADVANING 1-YEAR LIMITED MANUFACTURER'S WARRANTY FOR PA SERIES AWNINGS

Advaning warrants all Advaning PS Series original products, sold and installed within the United States of America and Canada, to be free of defects in materials and workmanship. This warranty only applies to the original owner or purchaser of the product and is only effective on a basis for twelve (12) months or one (1) year from the date of purchase.

Any defects or issues presented to Advaning within the warranty period will be handled by Advaning Customer Service within a reasonable time.

The entire awning framework, including polycarbonate sheet, brackets and parts (page 3 of the Owner's Manual), is covered under the limited warranty.

Powder coated finishes and painted finishes are excluded and are NOT covered under this limited warranty.

During the warranty period, owners in Canada, Hawaii, Alaska, and Puerto Rico are covered for parts and replacements at no charge. However, the owner would assume all shipping and handling and applicable duties and taxes. Advaning's warranty does not cover any return shipping or prepaid return labels.

Should the original owner/purchaser submit a claim within the warranty period from the date of the purchase and after being deemed defective by Advaning, will the warranty claim be resolved by either of the following:

A. Defective components are replaced (shipping charges may apply).

and/or

B. Detailed correctional/resolving instructions will be provided.

EXCLUSIONS AND LIMITATIONS OF WARRANTY

ANY MODIFICATIONS OR ALTERATIONS TO THE PRODUCT WILL VOID THIS WARRANTY.

ADVANING, INCLUDING ITS SUBSIDIARIES AND AFFILIATES, SHALL NOT BE RESPONSIBLE IN ANY MANNER WHATSOEVER FOR INJURY, DEATH OR DAMAGE TO PROPERTY AS A RESULT OF INTENTIONAL OR ACCIDENTAL MISUSED FOR PURPOSES FOR WHICH THE PRODUCT WAS NOT DESIGNED FOR.

The warranty will be in effect once the awning is fully paid for.

Advaning is not responsible for damage due to faulty modifications, installation, or re-installation. Advaning assumes no liability for damage to the structure to which the awning is attached, or to the property located underneath the awning. This limited warranty does not cover damage from ice, snow, hail, high winds, vandalism, neglect, improper use, or any natural disaster. This limited warranty does not cover degradation due to salt corrosion, oxidation, and chipping or peeling of the paint.

What is Not Covered by the Advaning Limited Warranty

This warranty is non-transferable and does not cover product purchases from the initial buyer to a third party. This warranty does not cover incidental damages, such as loss of time, loss of use, or installation costs of defective, repaired, or replaced products. This warranty does not cover products that have been damaged or rendered defective as a result of:

WARRANTY AND CUSTOMER SERVICE

- (a) Neglect, abuse or misuse.
- (b) Modification of the original product.
- (c) Improper use or installation using products not manufactured by Advaning.
- (d) Service provided by anybody other than Advaning.
- (e) Abnormal mechanical or environmental conditions.
- (f) Unusual physical or electrical stress -including failure or fluctuation of electrical power, lighting, static electricity, fire, tornadoes, or other natural disasters.

WARRANTY CLAIMS:

If you experience a problem with your Advaning product, please contact Advaning Customer Service representatives by email at service@advaning.com, by phone at **714-622-2600** or by submitting a Warranty Claim via our website, advaning.com/warranty-support

Advaning Customer Service is available Monday through Friday from 8:30 a.m. to 4:00 p.m. PST

- Prior to contacting Advaning for warranty claims, please have your model name/number, *original proof of purchase, photos and/or videos along with a description of the issue experiencing ready for our Customer Service team to assess.
- Submitting a claim will not extend or alter the warranty coverage period.
- Work performed by a third party or not authorized by an Advaning agent voids the warranty.

*Original Proof of Purchase: A valid sales/purchase receipt is required with authorized reseller/retailer name, the purchase date, and the model number of the item purchased.

SHIPPING DAMAGE/MISSING PARTS CLAIMS

On the occasion of a damage claim caused by the shipper/shipping company, the owner must contact their point of sale and the delivery carrier within 3-days of signing for the delivery in order to make a claim.

Likewise, there is a 7-day window from the time of delivery to report missing parts to Advaning.

Failure to report shipping damage and missing parts in a timely manner and in accordance with the shipper/ carrier guidelines may result in the owner incurring all costs.

THIS WARRANTY IS EXCLUSIVE AND IS IN LIEU OF ANY AND ALL OTHER WARRANTIES, EXPRESSED OR IMPLIED. NO IMPLIED WARRANTIES OF MERCHANTABILITY OR FITNESS FOR A PARTICULAR PURPOSE ARE GIVEN, ANY AND ALL LIABILITY FOR BREACH OF ANY IMPLIED WARRANTY OR WARRANTY CREATED BY LAW IS DISCLAIMED. Some states do not allow limitations on how long an implied warranty lasts, so the above limitation may not apply to you. UNDER NO CIRCUMSTANCES SHALL ADVANING, INCLUDING ITS SUBSIDIARIES AND AFFILIATES BE LIABLE FOR INCIDENTAL OR CONSEQUENTIAL DAMAGES WITH RESPECT TO ECONOMIC LOSS, INJURY, DEATH OR PROPERTY DAMAGE, WHETHER AS A RESULT OF BREACH OF THIS WARRANTY, NEGLIGENCE OR OTHERWISE. Some states do not allow the exclusion or limitation of incidental or consequential damages, so the above limitation or exclusion may not apply to you in whole or in part. This warranty gives you specific legal rights. You may also have other rights that vary from state to state.

CONTACT INFORMATION

Product Questions?

Please contact Advaning via email at service@advaning.com, by phone at 714-622-2600, or by chat on our website; www.advaning.com

Advaning Customer Service is available Monday through Friday from 8:30 a.m. to 4:00 p.m. PST

www.advaning.com