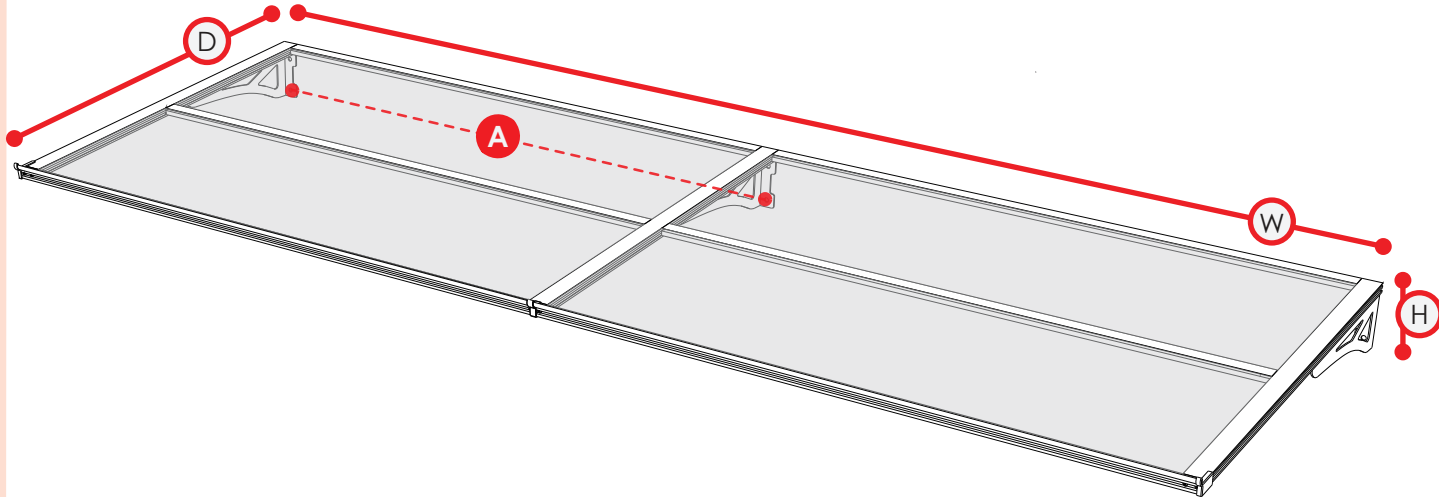
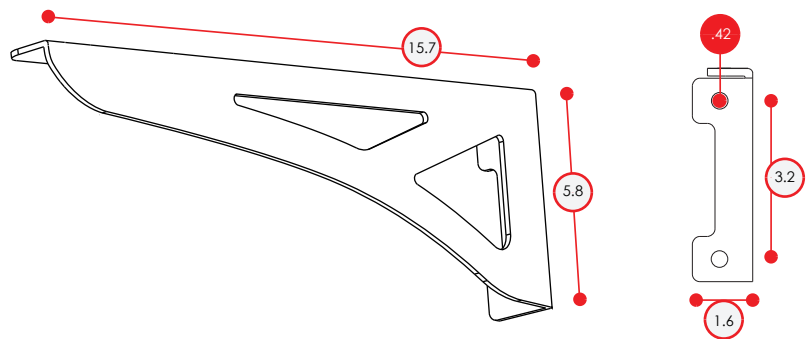


PS Series Polycarbonate Awning Dimensions



Model #	Unit of Measure	Assembled Product	Polycarbonate Sheet		A	Bracket	
		DxWxH	DxW	Gauge		QTY	Gauge
DA7935-PGS2A	inch	35.4 x 78.7 x 5.7	17 x 37.75	.12	38.48	3	.12
	mm	900 x 2000 x 145	432 x 959	3	977.5		3.16
DA9435-PGS2A	inch	35.4 x 94.4 x 5.7	17 x 45.6	.12	46.35	3	.12
	mm	900 x 2400 x 145	432 x 1158	3	1177.5		3.16

Listed measurements are for general reference only. Always consult with a professional installer for advise on installation and hardware requirements. NOTE Data Error ± 7%



Listed measurements are provided in inches unless otherwise specified.

